

EAST TO TRANSPORT - SIMPLE TO STORE - FOLDS DOWN TO 7.25" HIGH

36" LED Directional Folding Arrow

- Safely control traffic flow and protect workers and pedestrians in construction and school zones, accident locations or special events.
- Available with amber LEDs in 36" lengths, this effective warning light fits most traffic calming speed trailers, utility, construction, tow, D.O T., and police vehicles.
- The LED Portable Folding Directional Arrow is easy to transport and simple to store. It easily expands from 7-1/4" H when fully closed to 17-1/2" H when open.
- Four directional patterns: center out double arrow, right arrow, left arrow and alternating center bar.
- Available with switched 12V DC plug-in adapter with 15-foot cable. Built-in toggle switch allows for selecting arrow display pattern.
- A variety of suction cups and brackets (sold separately) utilize the integral T-slot channels located on the bottom and back of the arrow housing.
- Waterproof
- Five-year warranty
- Made in the U.S.A.



Adjustable suction-cup mounts allows for mounting the LED arrow in many applications on vehicles or any manufacturer's speed feedback trailer.

Kit Available from MPH Industries

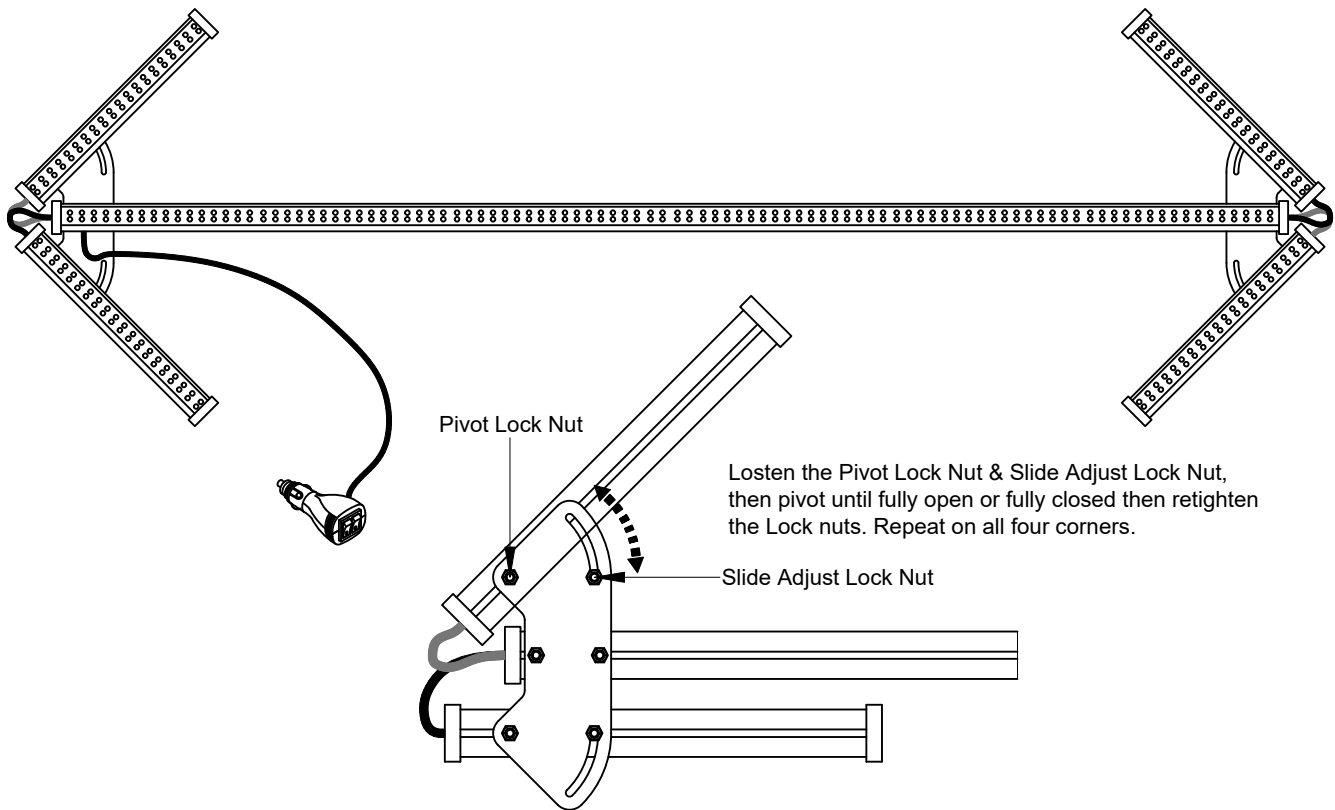
Kit includes: 36" LED directional folding arrow, 2 universal, fully adjustable, strong suction-cup mounts, 12V DC plug-in adapter with 15' cable and padded, hard plastic carrying case.

General Information:

The LED Folding Directional Arrow alerts traffic in the direction they need to follow. The Arrow comes with accessory power adaptor plug. The power adaptor plug has a lighted on/off power switch and a momentary switch to change the pattern. To change the pattern, momentarily press the switch, each time the switch is pressed it will advance to the next pattern. The LED Arrow has four flash patterns from which to choose: Left Arrow - Right Arrow - Center-Out - Wig-wag.

Product Specifications:

Optimum Operation Voltage: +13.8 VDC
Operating Current: 2 amp max
Recommended Fuse: 5 amp



Installation Instructions

Slide the hex bolts provided into the t-slot as shown in the diagram. The light can be mounted using the bottom or rear t-slots. Always mount with the bottom t-slot down, This is to allow any moisture that enters the light housing to drain properly.

