

# MMPH

## INDUSTRIES®

# Installation Guide

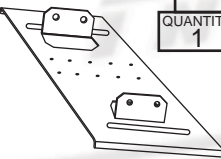

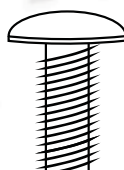


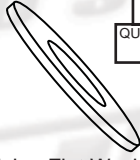
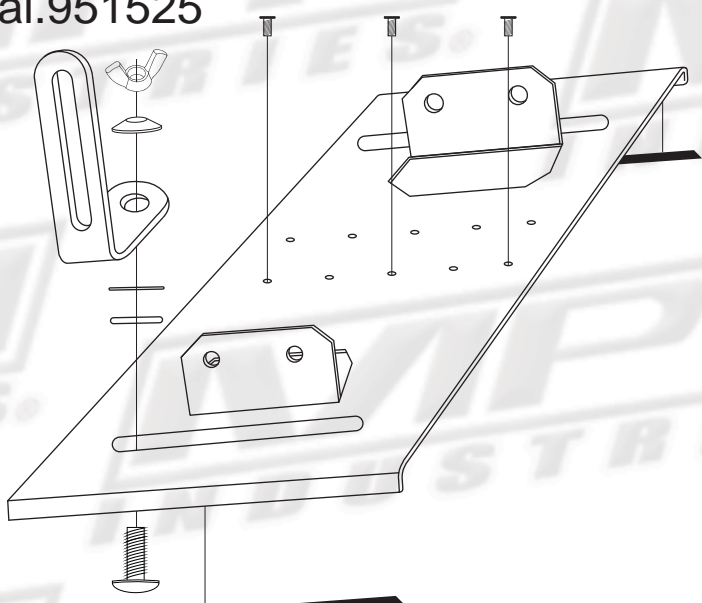

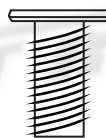
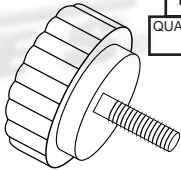
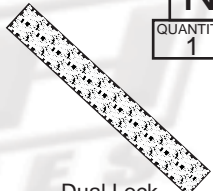

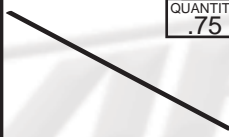


## Dodge Charger

### Bracket Combo Assembly

FITS: Python III, Ranger

PT# ai.951525

## Installation Materials

<p>910524</p> <p><b>E</b></p> <p>QUANTITY 1</p>  <p>Dash Bracket</p>	<p>909949</p> <p><b>F</b></p> <p>QUANTITY 1</p>  <p>Angle Bracket 3.6 x 1.75</p>	<p>402544</p> <p><b>G</b></p> <p>QUANTITY 1</p>  <p>Carriage Bolt 1/4" x .032</p>	<p>903542</p> <p><b>H</b></p> <p>QUANTITY 1</p>  <p>Wing Nut 1/4-20</p>	<p>909963</p> <p><b>I</b></p> <p>QUANTITY 1</p>  <p>Thick Flat Washer 5/16 x 0.078</p>	<p>903356</p> <p><b>J</b></p> <p>QUANTITY 2</p>  <p>Nylon Flat Washer 1/4" x .032</p>
<p>ai.951525</p>  <p>Dodge Charger Bracket Combo</p>		<p>900025</p> <p><b>K</b></p> <p>QUANTITY 1</p>  <p>Disc Spring</p>	<p>902816</p> <p><b>L</b></p> <p>QUANTITY 3</p>  <p>Flush Screw #4-40x.25</p>	<p>909094</p> <p><b>M</b></p> <p>QUANTITY 2</p>  <p>Stud Knob 10-32 x .50"</p>	
		<p>680004</p> <p><b>N</b></p> <p>QUANTITY 1</p>  <p>Dual Lock</p>	<p>680005</p> <p><b>O</b></p> <p>QUANTITY 1</p>  <p>Dual Lock</p>	<p>900319</p> <p><b>P</b></p> <p>QUANTITY .75</p>  <p>Rubber Channel</p>	
		<p>909092</p> <p><b>Q</b></p> <p>QUANTITY 4</p>  <p>Nylon Flat Washer #10</p>	<p>900024</p> <p><b>R</b></p> <p>QUANTITY 1</p>  <p>Nylon Washer</p>		

# MMPH

## INDUSTRIES®

# Installation Guide


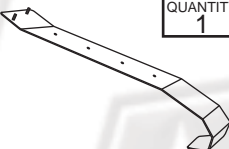


## Dodge Charger Bracket Combo Assembly

FITS: Python III, Ranger

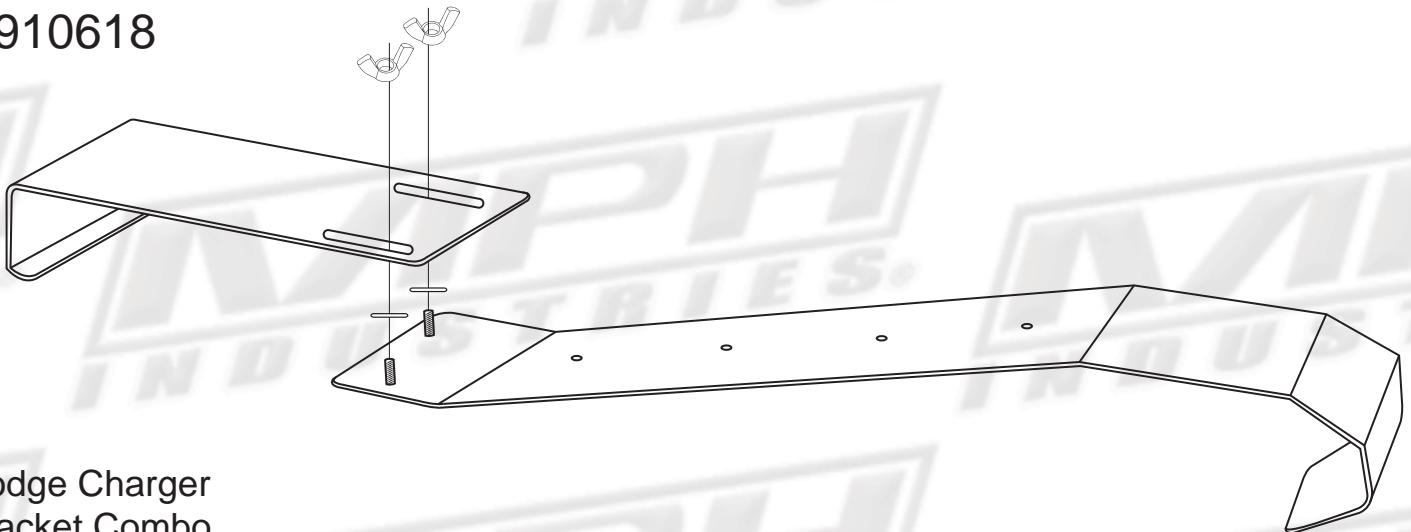
PT#

ai.910618

## Installation Materials

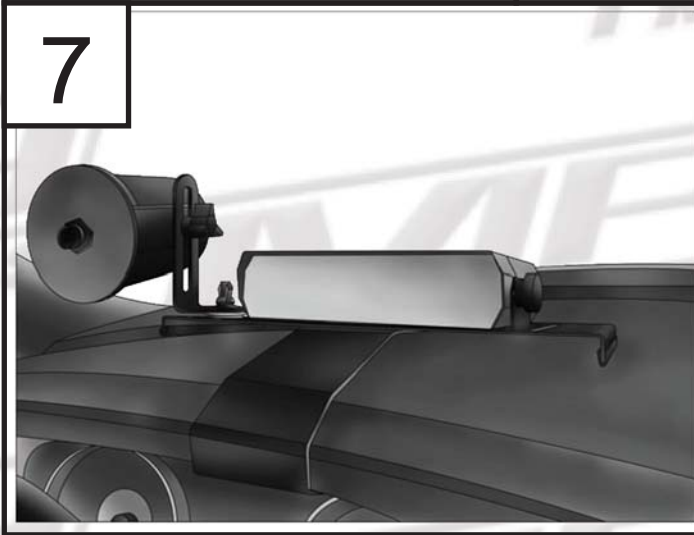
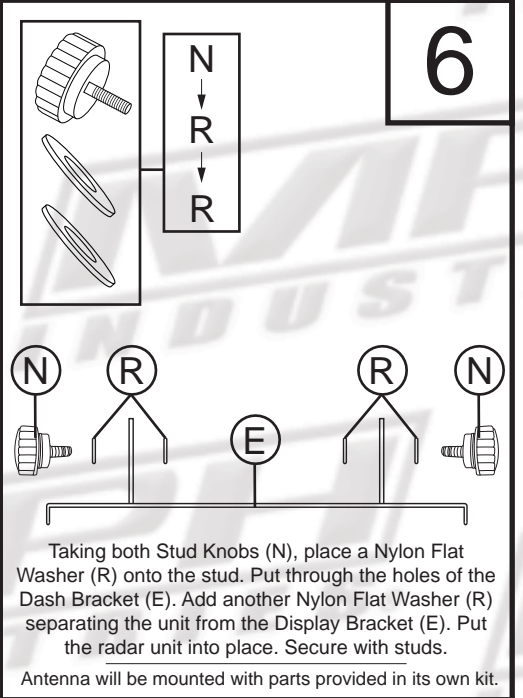
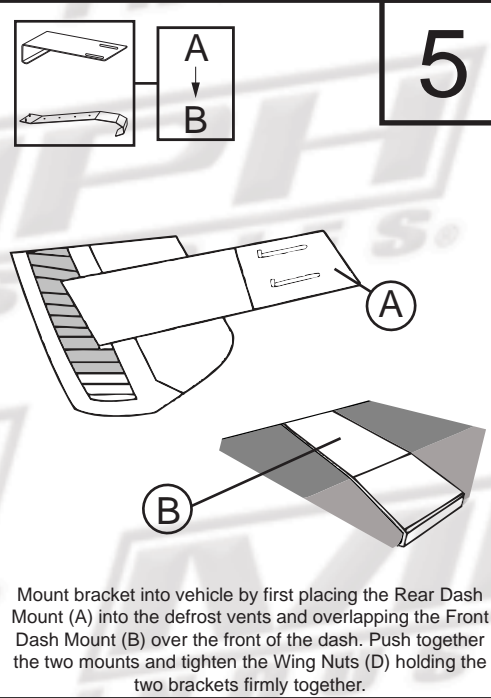
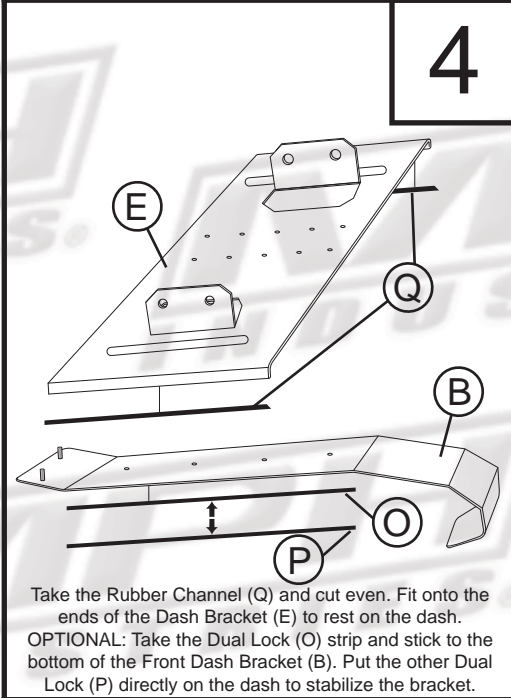
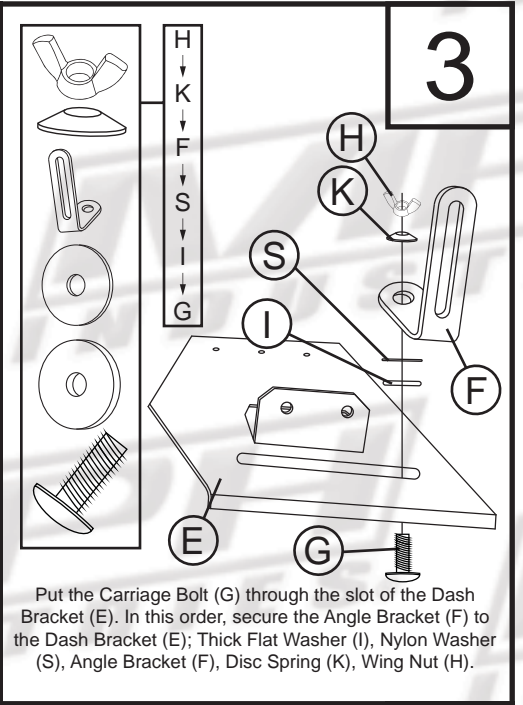
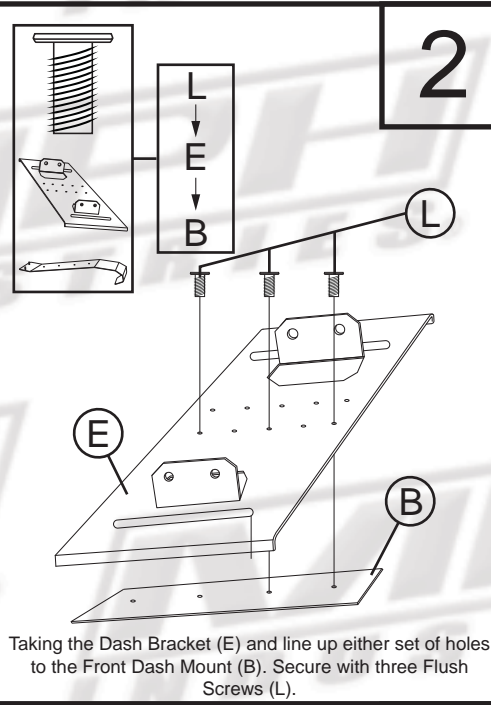
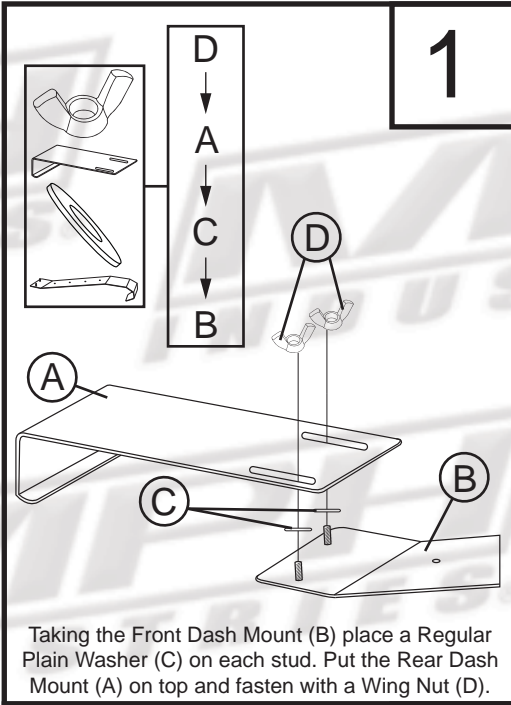
910618-1	A	910618-2	B	908203	C	400010	D
	QUANTITY 1		QUANTITY 1		QUANTITY 2		QUANTITY 2
Rear Dash Mount		Front Dash Mount		Regular Plain Washer		Wing Nut	

ai.910618



Dodge Charger  
Bracket Combo

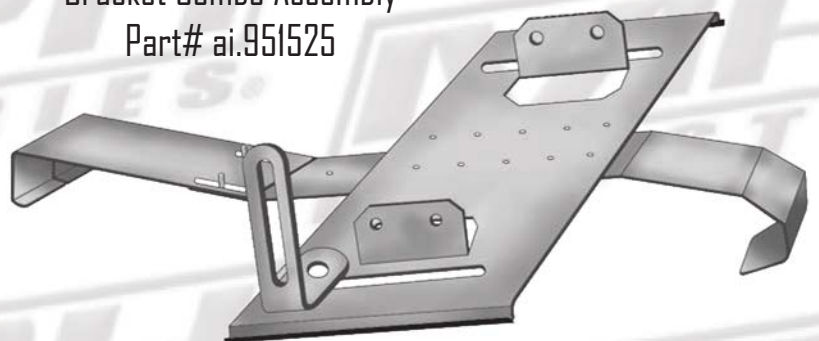
# Installation Process



## Dodge Charger

Bracket Combo Assembly

Part# ai.951525

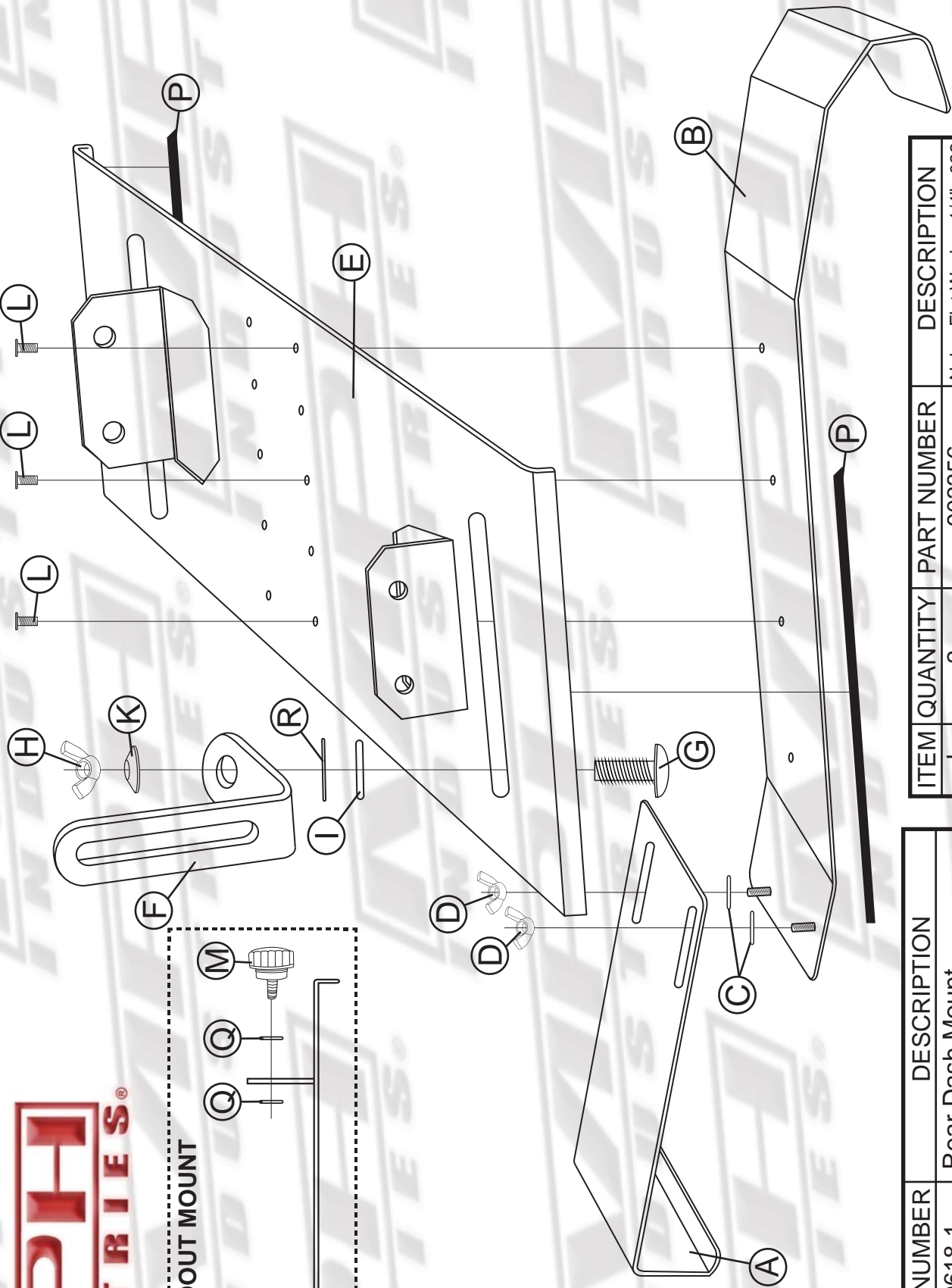
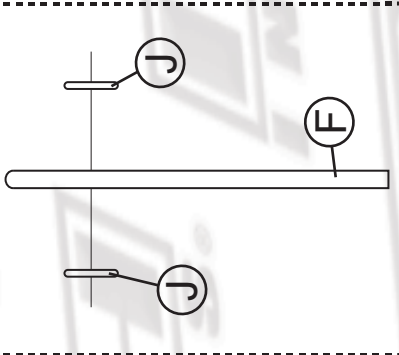


# WPI INDUSTRIES®

## READOUT MOUNT



## ANTENNA MOUNT



Item N, O  
Optional

ITEM	QUANTITY	PART NUMBER	DESCRIPTION
A	1	910618-1	Rear Dash Mount
B	1	910618-2	Front Dash Mount
C	2	908203	Regular Plain Washer
D	2	400010	Wing Nut
E	1	910524	Dash Bracket
F	1	909949	Angle Bracket 3.6 x 1.75
G	1	402544	Carriage Bolt 1/4" x .032
H	1	903542	Wing Nut 1/4-20
I	2	909963	Thick Flat Washer 5/16 x 0.078

ITEM	QUANTITY	PART NUMBER	DESCRIPTION
J	2	903356	Nylon Flat Washer 1/4"x.032
K	1	900025	Disc Spring
L	3	902816	Flush Screw #4-40 x .25
M	2	909094	Stud Knob 10-32 x .50"
N	1	680004	Dual Lock
O	1	680005	Dual Lock
P	.75	900379	Rubber Channel
Q	4	909092	Nylon Flat Washer #10
R	1	900024	Nylon Washer