

# MMPH

## INDUSTRIES®


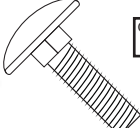



# Installation Guide

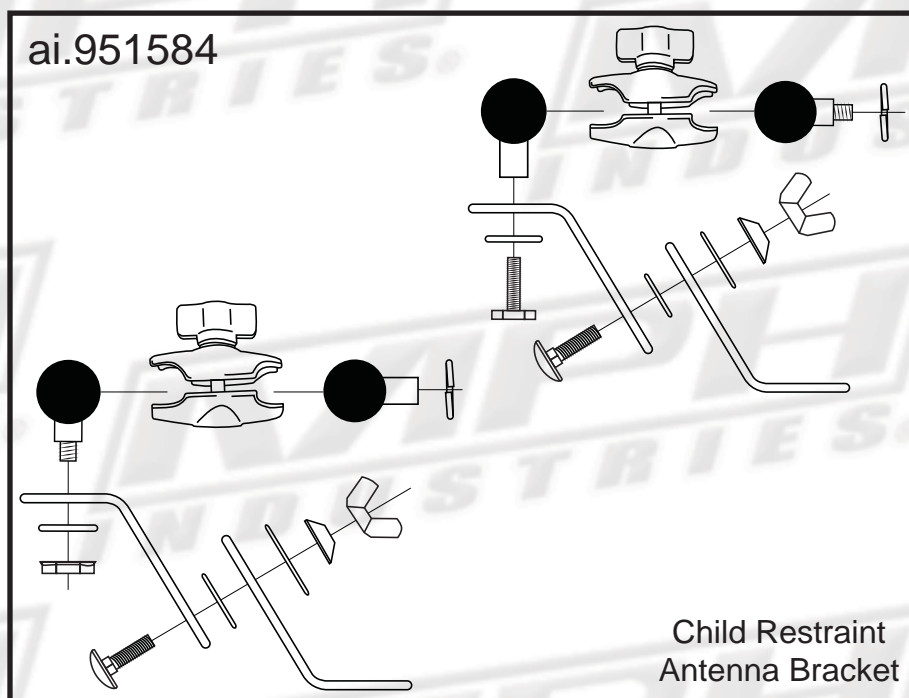
## Ford Taurus/Dodge Charger Child Rest. Antenna Bracket



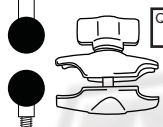
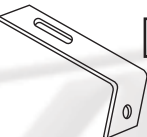
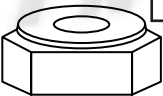
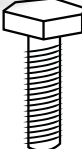
FITS: BEE III, Enforcer, Python III

PT# ai.951584

### Installation Materials

<p>402543</p> <p><b>A</b></p> <p>QUANTITY 1</p>  <p>Carriage Bolt 1/4-20 x .625</p>	<p>402544</p> <p><b>B</b></p> <p>QUANTITY 1</p>  <p>Carriage Bolt 1/4-20 x 1.00</p>	<p>900024</p> <p><b>C</b></p> <p>QUANTITY 1</p>  <p>Nylon Washer .219 x 1.0 x .03</p>	<p>910653</p> <p><b>D</b></p> <p>QUANTITY 1</p>  <p>Fender Washer 1/4-1.5"</p>	<p>903542</p> <p><b>E</b></p> <p>QUANTITY 1</p>  <p>Wing Nut 1/4-20</p>
--	--	--	---	--



<p>908340</p> <p><b>F</b></p> <p>QUANTITY 2</p>  <p>Regular Plain Washer 1/4</p>	<p>908342</p> <p><b>G</b></p> <p>QUANTITY 3</p>  <p>Helical Lock Washer 1/4</p>
<p>910674</p> <p><b>H</b></p> <p>QUANTITY 1</p>  <p>Short Arm Ram Bracket 1/4-20</p>	<p>910652G01</p> <p><b>I</b></p> <p>QUANTITY 1</p>  <p>Child Restraint Antenna Bracket</p>
<p>900315</p> <p><b>J</b></p> <p>QUANTITY 1</p>  <p>Nylon Lock Nut 1/4-20</p>	<p>908894</p> <p><b>K</b></p> <p>QUANTITY 1</p>  <p>Hex Screw 1/4-20 x .50</p>

# Installation Process

**1**

Insert the Carriage Bolt (A)(B) through the Antenna Bracket (I). Twist a Nylon Washer (C) onto the stud of the Carriage Bolt (A)(B) separating the Antenna Bracket (I) from the child restraint bracket in the vehicle.

**\*\*Use the best fit Carriage Bolt\*\***

**2**

Secure the Antenna Bracket (I) by putting the Fender Washer (D) on the stud of the bolt followed by a Lock Washer (G) and a Wing Nut (E).

**3**

Using the Ball Joint (H) with the stud - for the BEE III - fit through the hole of the Antenna Bracket (I) following with a Regular Plain Washer (F) and a Nylon Lock Nut (J).

**\*\*See explosion guide for Python III diagram.\*\***

**4**

Fit the other Ball Joint (H) into the Arm Bracket (H). Put a Lock Washer (G) on the stud of the antenna and thread into the end of the Ball Joint (H). Tighten.

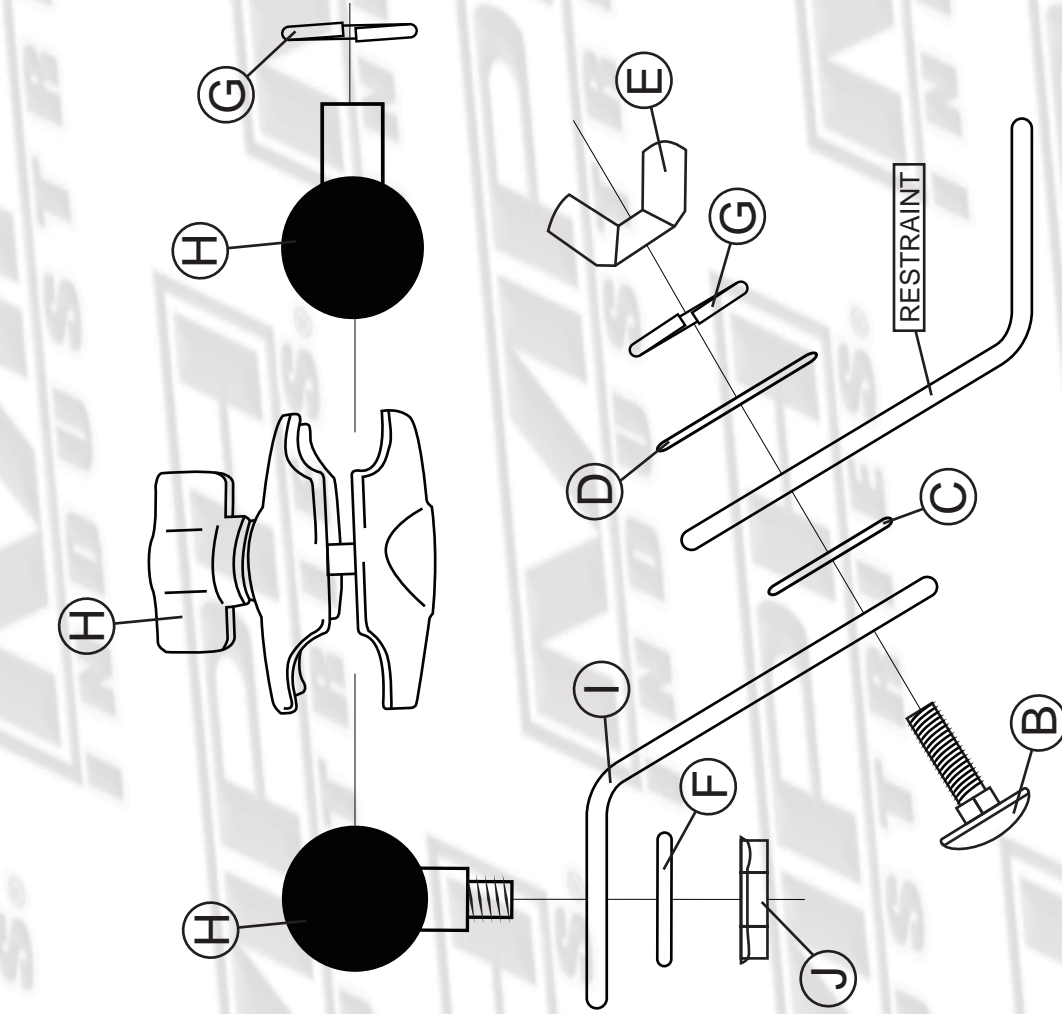
**5**

## Ford Taurus/Dodge Charger

Child Restraint Bracket Assembly  
Part# ai.951584

# BEE III/Enforcer

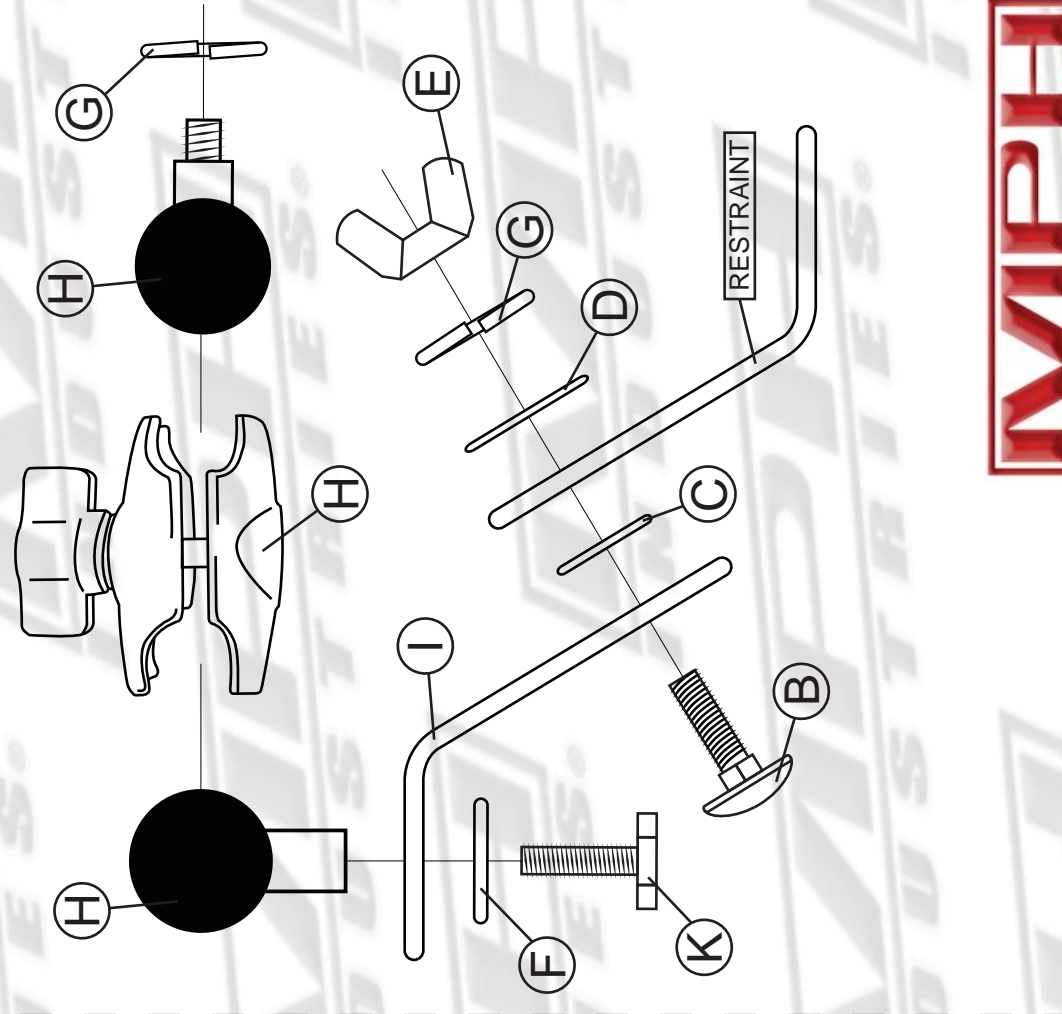
Child Restraint Bracket Assembly



ITEM	QUANTITY	PART NUMBER	DESCRIPTION
A	1	402543	Carriage Bolt 1/4-20 x .625
B	1	402544	Carriage Bolt 1/4-20 x 1.00
C	1	900024	Nylon Washer .219 x 1.0 x .03
D	1	910653	Fender Washer 1/4-1.5"
E	1	903542	Wing Nut 1/4-20

# Python III

Child Restraint Bracket Assembly



ITEM	QUANTITY	PART NUMBER	DESCRIPTION
F	2	908340	Regular Plain Washer 1/4
G	3	908342	Helical Lock Washer 1/4
H	1	910674	Short Arm Ram Bracket
I	1	910652G01	Child Restraint Antenna Bracket
J	1	900315	Thin Nylon Lock Nut 1/4-20
K	1	988052	Hex Screw 1/4-20 x .50

