

# MMPH INDUSTRIES®

## Installation Guide Harley Davidson Antenna Bracket Assembly

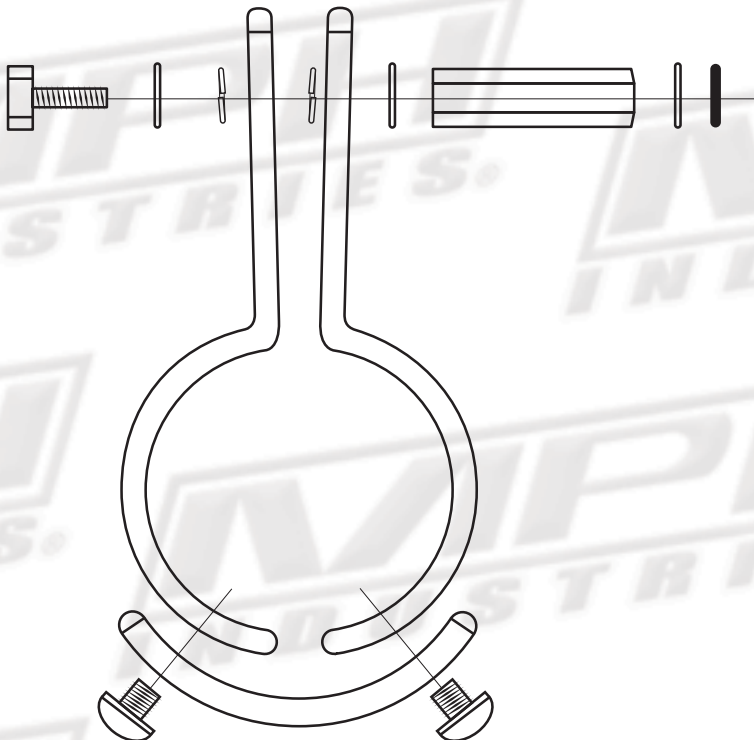
FITS: Python III, Ranger, BEE III, Enforcer

PT#

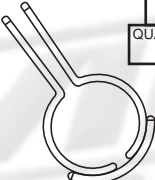
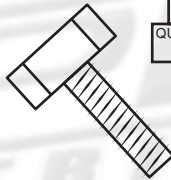
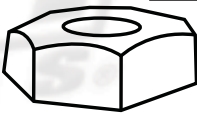

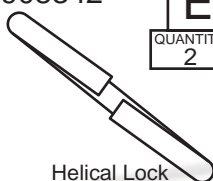
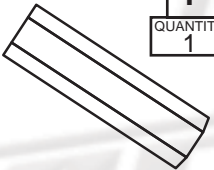

ai.951284

### Installation Materials

ai.951284

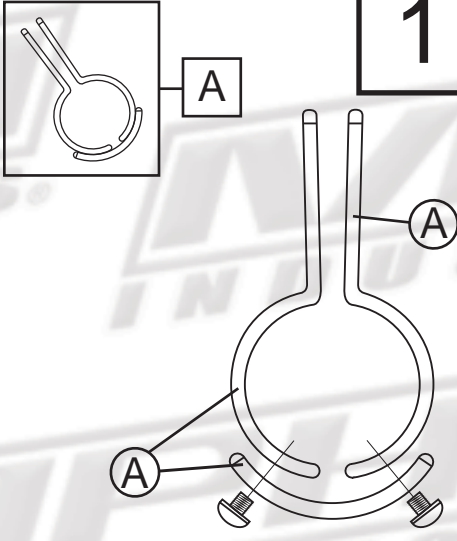


Harley Davidson  
Antenna Bracket

<p>903533</p> <p><b>A</b></p> <p>QUANTITY 1</p>  <p>Frame Clamp 1 1/4"</p>	<p>908035</p> <p><b>B</b></p> <p>QUANTITY 1</p>  <p>Hex Screw 1/4-20x.75</p>	<p>908036</p> <p><b>C</b></p> <p>QUANTITY 1</p>  <p>Hex Nut 1/4-20</p>
<p>908340</p> <p><b>D</b></p> <p>QUANTITY 3</p>  <p>Regular Plain Washer #1/4</p>	<p>908342</p> <p><b>E</b></p> <p>QUANTITY 2</p>  <p>Helical Lock Washer #1/4</p>	<p>909352</p> <p><b>F</b></p> <p>QUANTITY 1</p>  <p>Hex Stud .500 x 1.5</p>
<p>910067</p> <p><b>G</b></p> <p>QUANTITY 1</p>  <p>Neoprene Washer .25x.625x.09</p>		

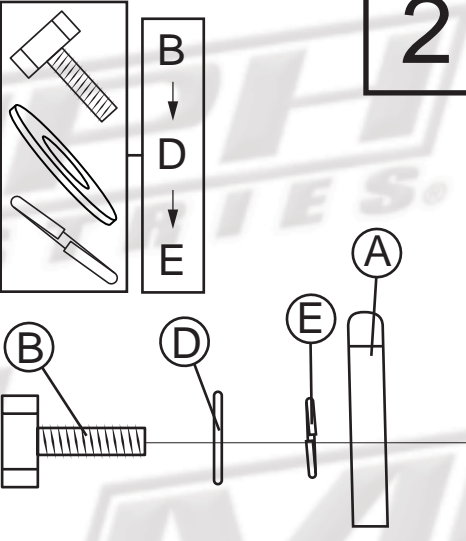
# Installation Process

**1**



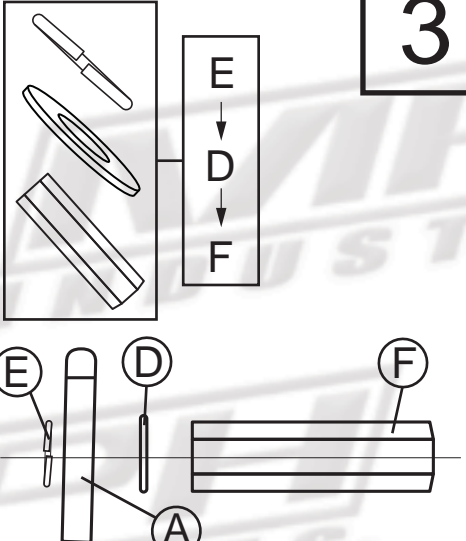
Taking the 3 pieces of the Frame Clamp (A), wrap around the bumper bar of the motorcycle. Secure to the bar using the screws provided in the kit (A).

**2**



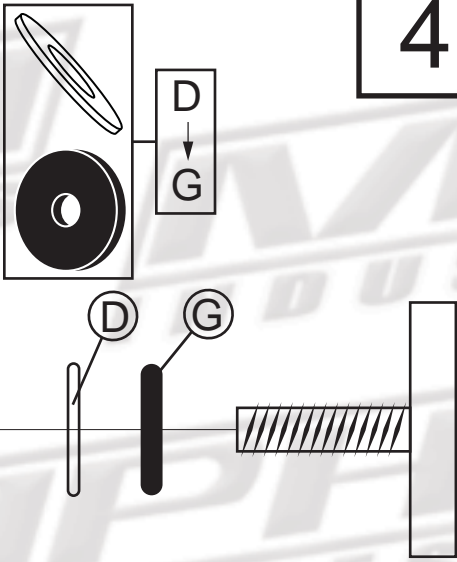
To tighten the Frame Clamp (A) start with the Hex Screw (B). Fit a Regular Plain Washer (D) onto the Hex Screw (B) followed by a Lock Washer (E). Put through the told hole of the Frame Clamp (A).

**3**



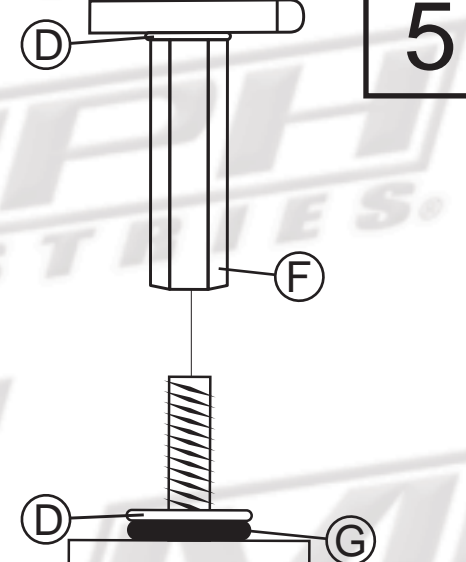
Continue to put another Lock Washer (E) on the stud of the Hex Screw (B) and end it with a Regular Plain Washer (D). Begin Tightening the Frame Clamp by screwing on the Hex Stud (F).

**4**



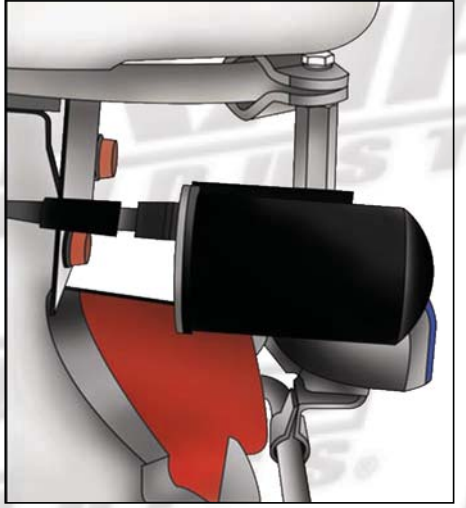
Using the stud of the antenna, put the Neoprene Washer (G) on followed by a Regular Plain Washer (D).

**5**



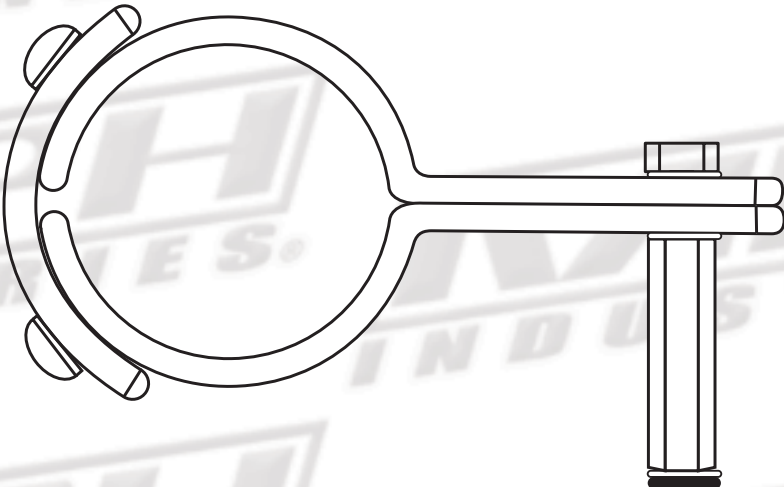
Once the Frame Clamp (A) is tight and secure the bumper bar, screw the antenna to the Hex Stud (F).

**6**

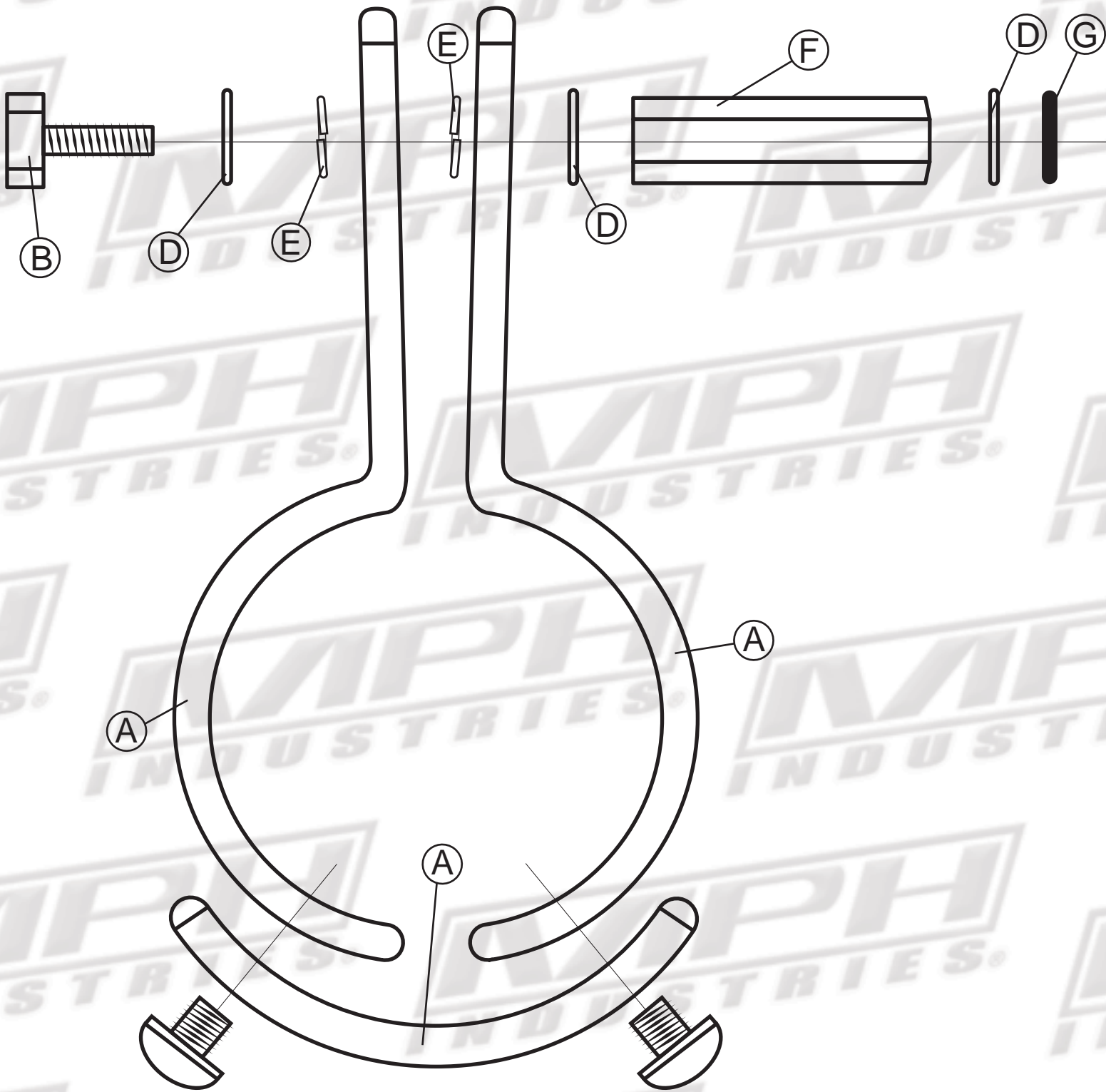


Tighten all screws and antenna. Finish by wiring the antenna to the radar.

**7**



**Harley Davidson**  
Antenna  
Bracket Assembly  
Part# ai.951284



ITEM	QUANTITY	PART NUMBER	DESCRIPTION
A	1	903533	Frame Clamp 1 1/4"
B	1	908035	Hex Screw 1/4-20x.75
C	1	908036	Hex Nut 1/4-20
D	3	908340	Regular Plain Washer #1/4
E	2	908342	Helical Lock Washer #1/4
F	1	909352	Hex Stud .500 x 1.5
G	1	910067	Neoprene Washer .24 x .625 x .09

