

MMPH INDUSTRIES®

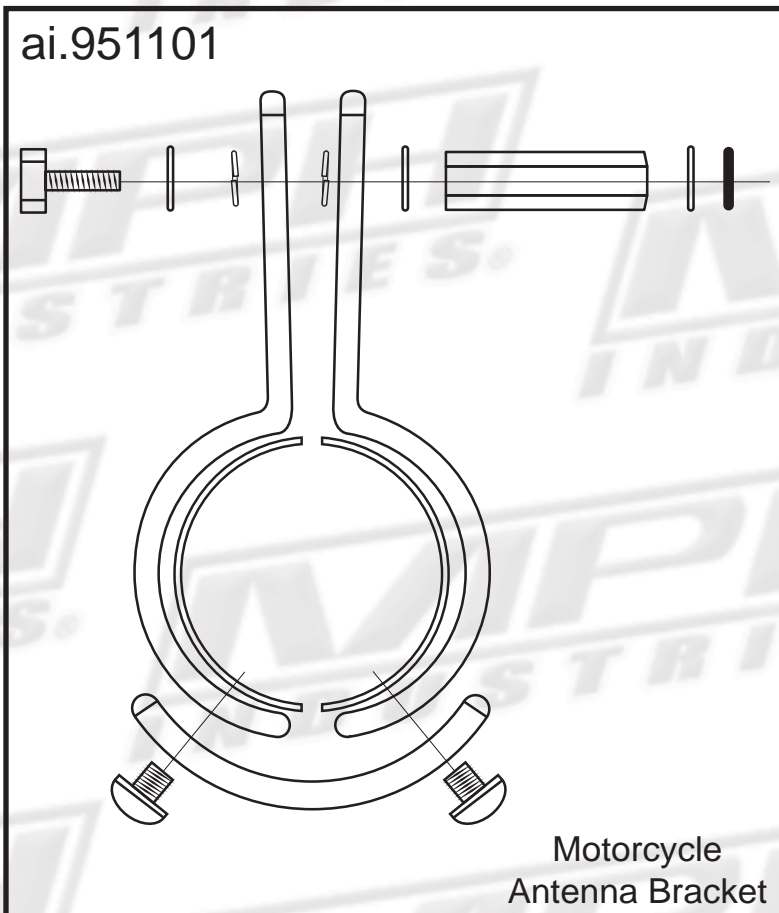
Installation Guide Motorcycle Antenna Bracket Assembly

FITS: Python III, Ranger, BEE III, Enforcer

PT#

ai.951101

Installation Materials



<p>903534</p> <p>A</p> <p>QUANTITY 1</p> <p>Frame Clamp 1"</p>	<p>908035</p> <p>B</p> <p>QUANTITY 1</p> <p>Hex Screw 1/4-20x.75</p>	<p>908461</p> <p>C</p> <p>QUANTITY 1</p> <p>Reducer Sleeves</p>
<p>908340</p> <p>D</p> <p>QUANTITY 3</p> <p>Regular Plain Washer #1/4</p>	<p>908342</p> <p>E</p> <p>QUANTITY 2</p> <p>Helical Lock Washer #1/4</p>	<p>909352</p> <p>F</p> <p>QUANTITY 1</p> <p>Hex Stud .500 x 1.5</p>
<p>910067</p> <p>G</p> <p>QUANTITY 1</p> <p>Neoprene Washer .25x.625x.09</p>	<p>908036</p> <p>H</p> <p>QUANTITY 1</p> <p>Hex Nut 1/4-20</p>	

Installation Process

1

Taking the 3 pieces of the Frame Clamp (A), wrap around the bumper bar of the motorcycle. Slide the Reducer Sleeves (C) between the Frame Clamp (A) and bumper bar if needed. Secure to the bar using the screws provided in the kit (A).

2

To tighten the Frame Clamp (A) start with the Hex Screw (B). Fit a Regular Plain Washer (D) onto the Hex Screw (B) followed by a Lock Washer (E). Put through the told hole of the Frame Clamp (A).

3

Continue to put another Lock Washer (E) on the stud of the Hex Screw (B) and end it with a Regular Plain Washer (D). Begin Tightening the Frame Clamp by screwing on the Hex Stud (F).

4

Using the stud of the antenna, put the Neoprene Washer (G) on followed by a Regular Plain Washer (D).

5

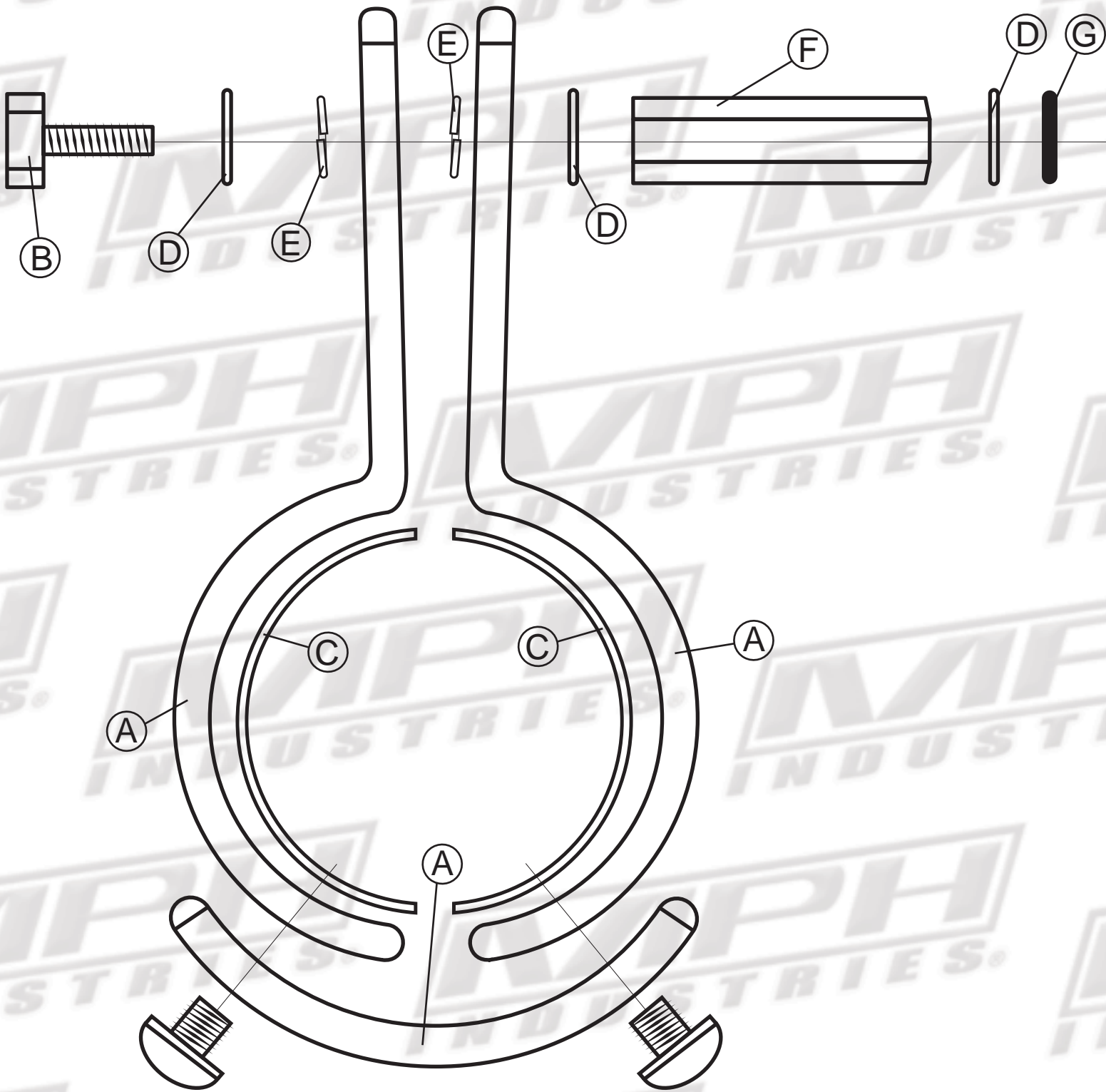
Once the Frame Clamp (A) is tight and secure the bumper bar, screw the antenna to the Hex Stud (F).

6

Tighten all screws and antenna. Finish by wiring the antenna to the radar.

7

Motorcycle
 Universal Antenna
 Bracket Assembly
 Part# ai.951101



ITEM	QUANTITY	PART NUMBER	DESCRIPTION
A	1	903534	Frame Clamp 1"
B	1	908035	Hex Screw 1/4-20x.75
C	1	908461	Reducer Sleeves
D	3	908340	Regular Plain Washer #1/4
E	2	908342	Helical Lock Washer #1/4
F	1	909352	Hex Stud .500 x 1.5
G	1	910067	Neoprene Washer .24 x .625 x .09
H	1	908036	Hex Nut 1/4-20

