

MMPH INDUSTRIES®


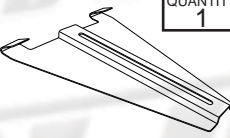
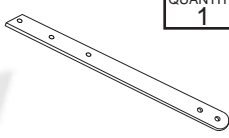
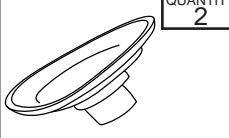
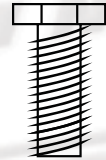

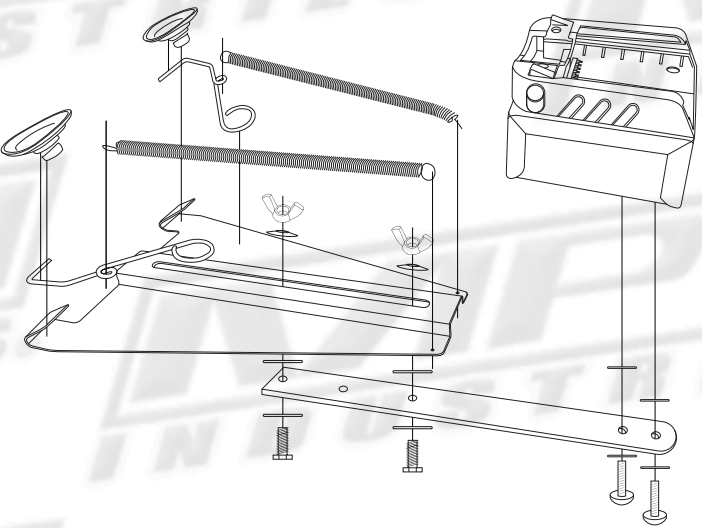


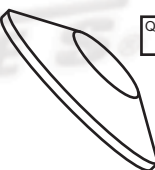
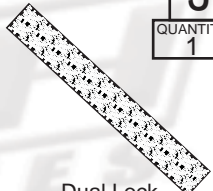
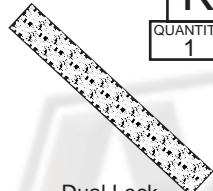


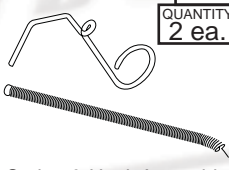
Installation Guide Speedgun Pro Dash Bracket Assembly

FITS: Speedgun Pro

PT#

ai.951680

Installation Materials

| | | | | | |
|---|--|--|---|--|---|
| <p>903542</p> <p>A</p> <p>QUANTITY 2</p>  <p>Wing Nut 1/4-20</p> | <p>910114</p> <p>B</p> <p>QUANTITY 1</p>  <p>Suction Cup Bracket</p> | <p>902277G01</p> <p>C</p> <p>QUANTITY 1</p>  <p>Slide Dash Bracket</p> | <p>910123</p> <p>D</p> <p>QUANTITY 2</p>  <p>Suction Cup w/top Pilot</p> | <p>908894</p> <p>E</p> <p>QUANTITY 2</p>  <p>Hex Screw 1/4-20x.50</p> | <p>900024</p> <p>F</p> <p>QUANTITY 2</p>  <p>Nylon Washer</p> |
| <p>ai.951680</p>  <p>Speedgun Pro Bracket Assembly</p> | | <p>908340</p> <p>G</p> <p>QUANTITY 2</p>  <p>Regular Plain Washer</p> | <p>620009</p> <p>H</p> <p>QUANTITY 1</p>  <p>Foam Scotch Pad</p> | <p>900025</p> <p>I</p> <p>QUANTITY 2</p>  <p>Disc Spring</p> | |
| | | <p>680004</p> <p>J</p> <p>QUANTITY 1</p>  <p>Dual Lock</p> | <p>680005</p> <p>K</p> <p>QUANTITY 1</p>  <p>Dual Lock</p> | <p>909092</p> <p>L</p> <p>QUANTITY 2</p>  <p>Nylon Flat Washer #10</p> | |
| | | <p>908203</p> <p>M</p> <p>QUANTITY 2</p>  <p>Regular Plain Washer #10</p> | <p>950292</p> <p>N</p> <p>QUANTITY 2 ea.</p>  <p>Spring & Hook Assembly</p> | | |

Installation Process

1

Fit the Suction Cup (D) into the insert of the Suction Cup Bracket (B) for both sides.

2

Using the Hex Screws (E) put a Regular Plain Washer (G) on the screw and fit through the holes of the Slide Dash Bracket (C). Separate the Slide Dash Bracket (C) from the Suction Cup Bracket (B) using a Nylon Washer (F). After joining the two brackets together, add a Spring Disc (I) and secure with a Wing Nut (A) on each screw.

3

For extra stability stick the Dual Lock (J,K) to the bottom of the Suction Cup Bracket (B). The Foam Pad (H) can also be used to cushion the bracket from the dash.

4

Take the Spring (N) and loop one end to the bottom of the Suction Cup Bracket (B). Put the open end of the Spring (N) inside the middle loop of the Hook (N). Using the straight end of the Hook (N) fit between the dash and the window. Do this for both sides.

5

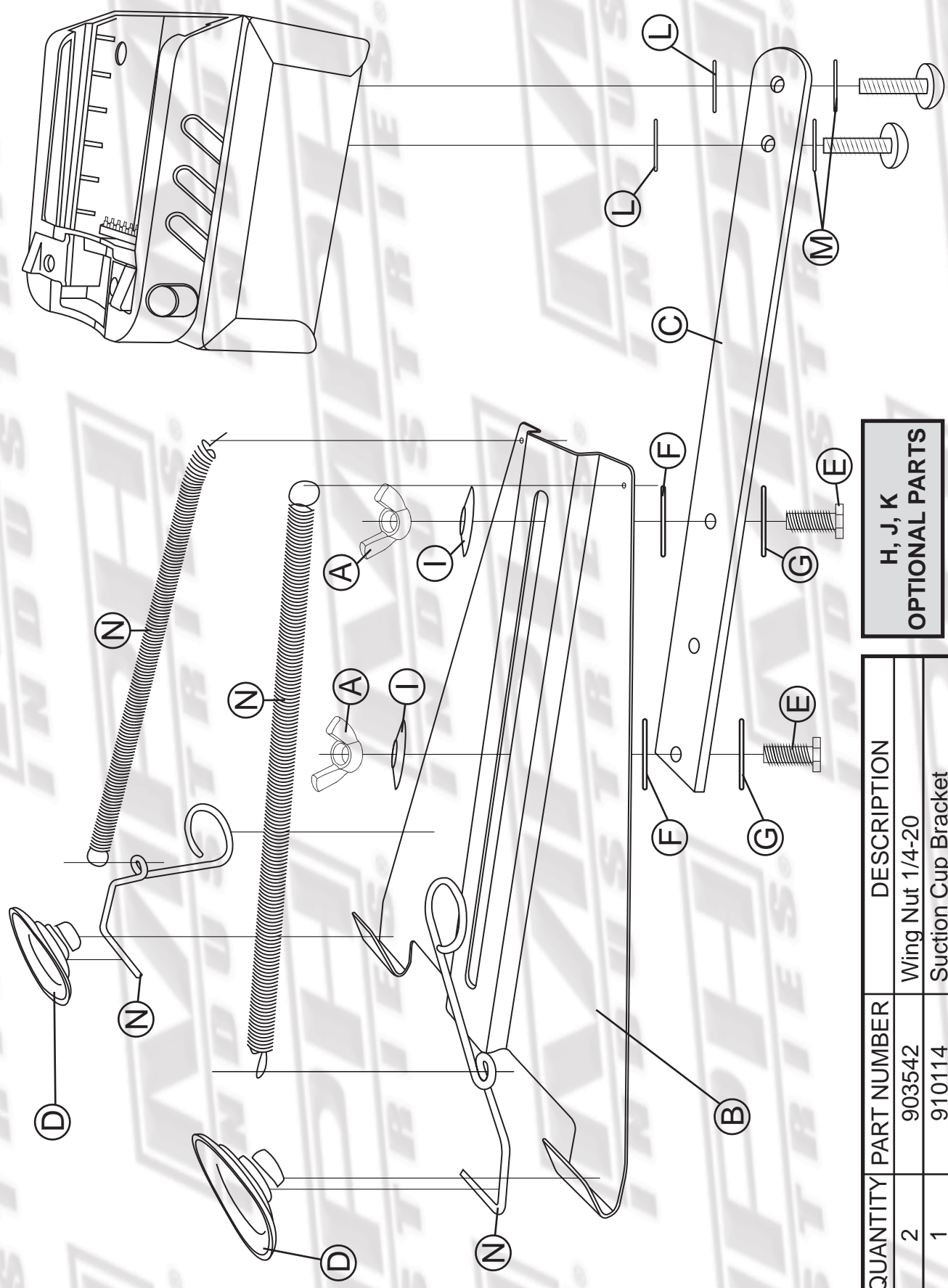
Mount the Speedgun Pro pieces to the back of the Slide Cup Bracket (C) first removing the bolts from the bottom of the housing box. Place a Regular Plain Washer (M) on each bolt. Separating the housing box from the Slide Cup Bracket (C) will be a Nylon Washer (L). Complete the process by screwing the bolts into the housing.

6

Put the finished bracket into the car on the dash. Be sure to secure the Suction Cups (D) to the window and then stabilize with the Dual Lock Strips (J,K), if you choose to use them. Mount the Speedgun Pro to the bracket and adjust the Slide Dash Bracket to fit. Tighten Wing Nuts (A)

7

Speedgun Pro
Bracket Assembly
Part# ai.951680



**H, J, K
OPTIONAL PARTS**

| ITEM | QUANTITY | PART NUMBER | DESCRIPTION |
|------|----------|-------------|-------------------------|
| A | 2 | 903542 | Wing Nut 1/4-20 |
| B | 1 | 910114 | Suction Cup Bracket |
| C | 1 | 902277G01 | Slide Dash Bracket |
| D | 2 | 910123 | Suction Cup w/top Pilot |
| E | 2 | 908894 | Hex Screw 1/4-20x.50 |
| F | 2 | 900024 | Nylon Washer |
| G | 2 | 908340 | Regular Plain Washer |
| H | 1 | 620009 | Foam Scotch Pad |
| I | 2 | 900025 | Disc Spring |

| ITEM | QUANTITY | PART NUMBER | DESCRIPTION |
|------|----------|-------------|-----------------------|
| J | 1 | 680004 | Dual Lock |
| K | 1 | 680005 | Dual Lock |
| L | 2 | 909092 | Nylon Flat Washer #10 |
| M | 2 | 908203 | Regular Plain Washer |
| N | 2 ea. | 950292 | Spring & Hook Assy. |