

MMPH

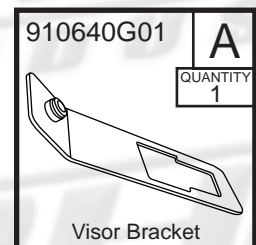
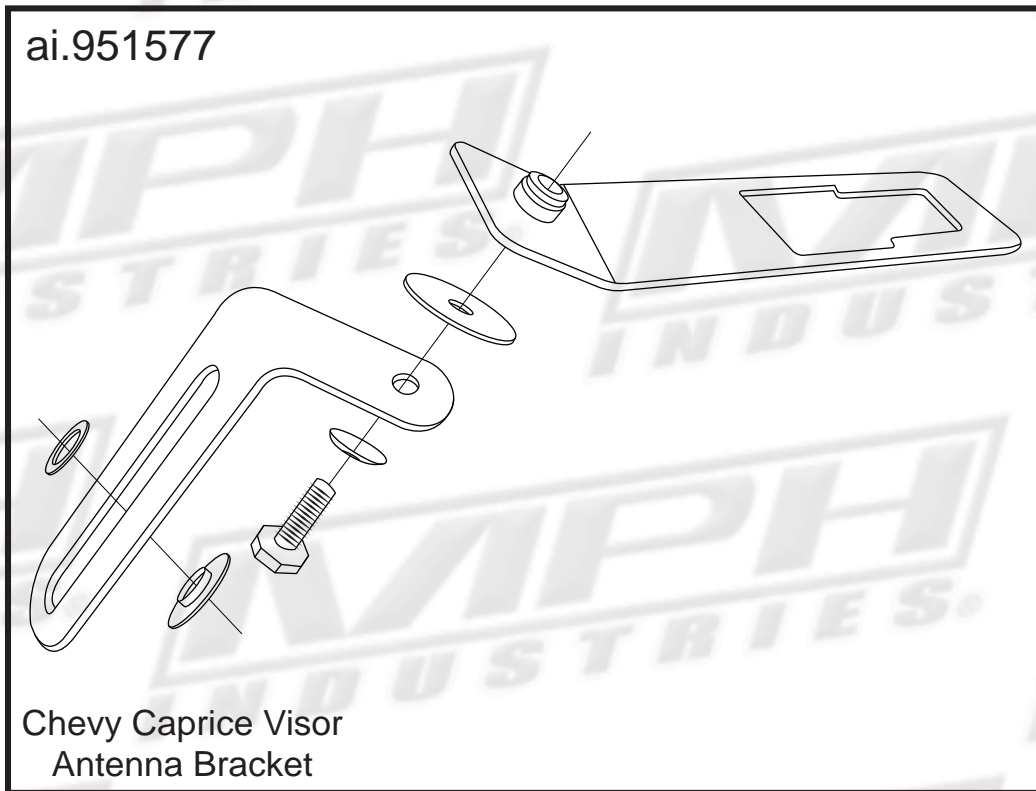
INDUSTRIES®

Installation Guide Chevy Caprice Visor Antenna Bracket

FITS: BEE III, Enforcer, Python III, Ranger

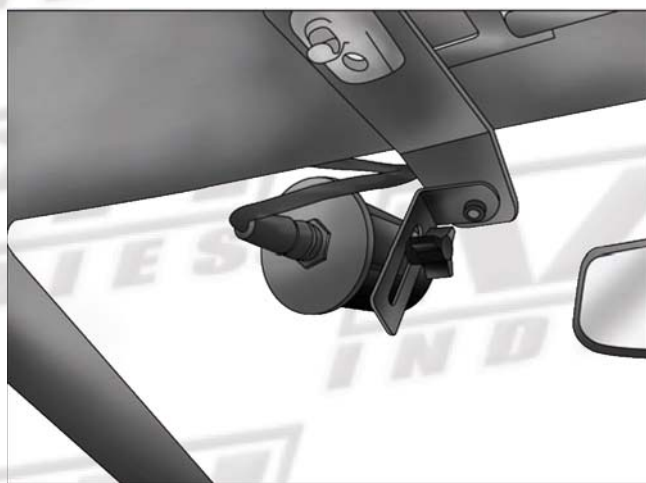
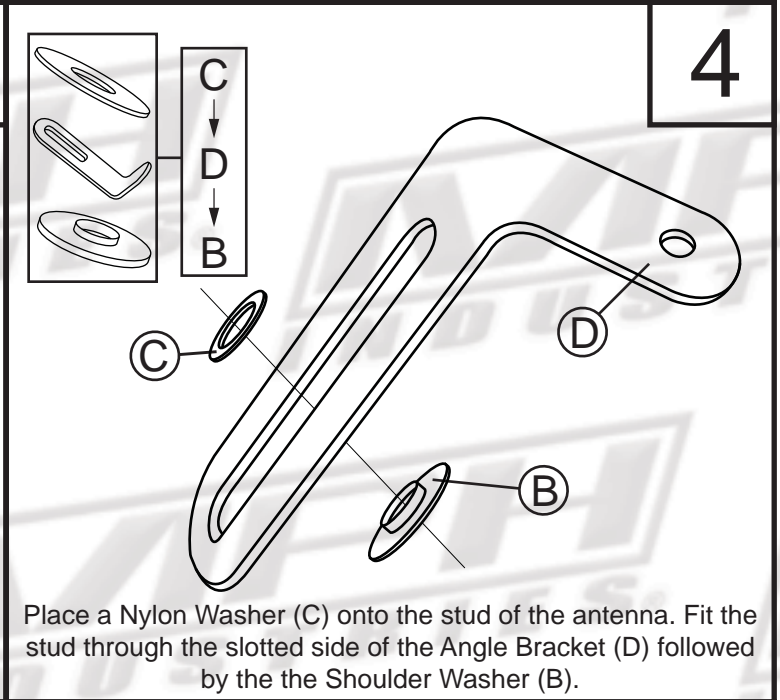
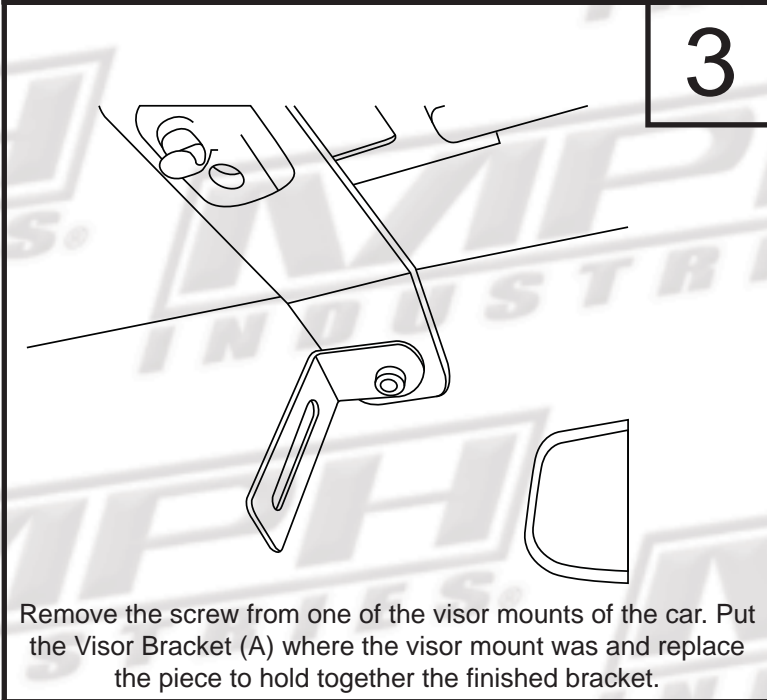
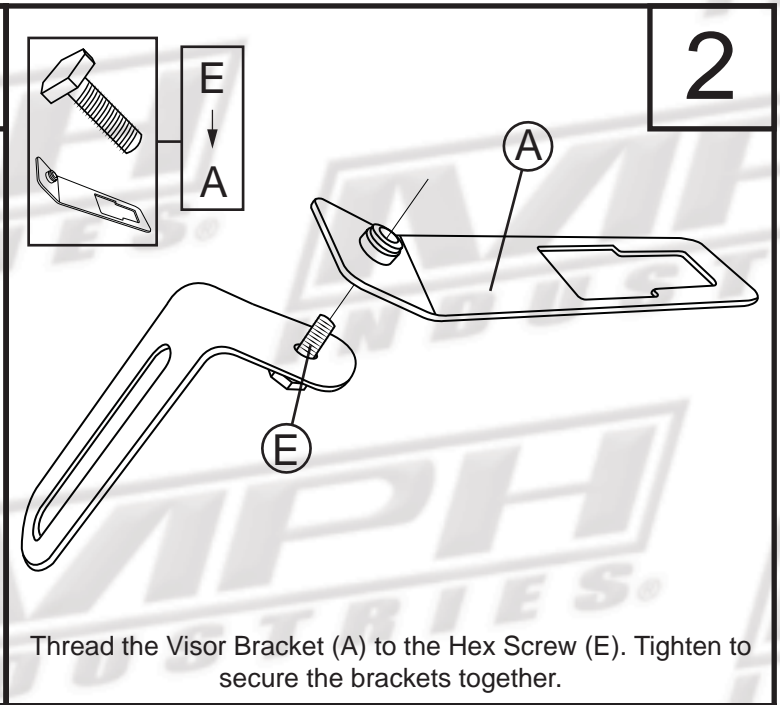
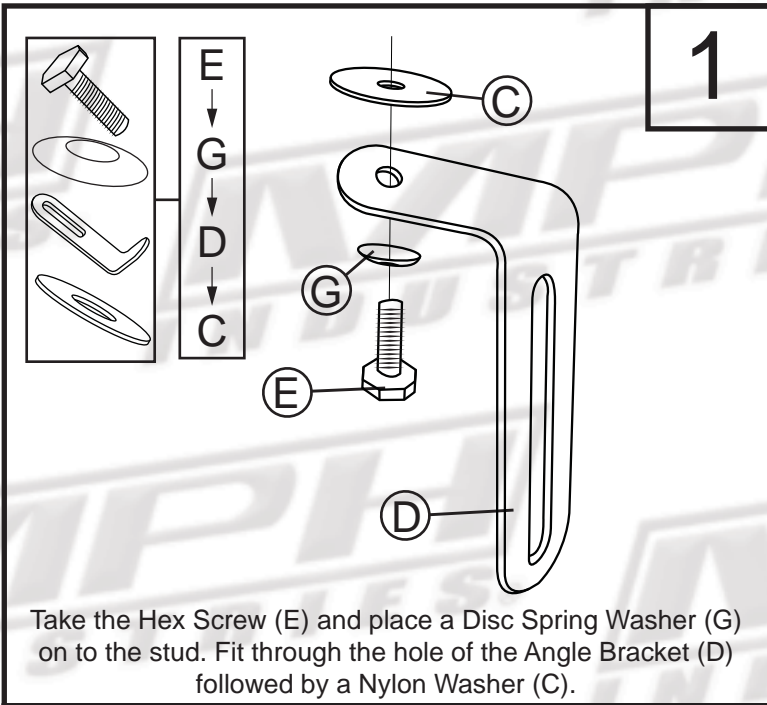
PT# ai.951577

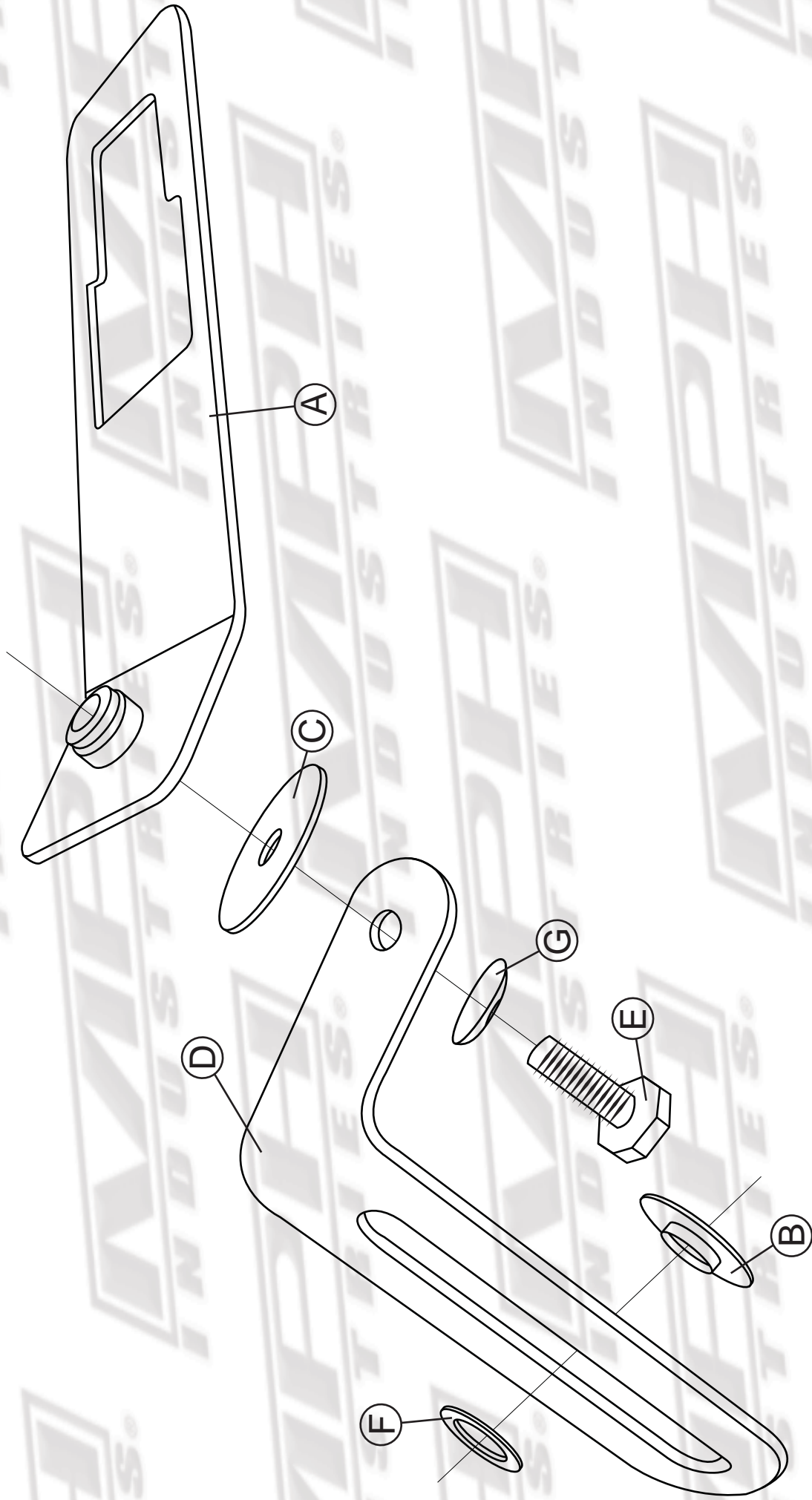
Installation Materials



902370	B	900024	C
QUANTITY	1	QUANTITY	2
	Shoulder Washer		Nylon Washer .219 x 1.0 x .03
909949	D	903543	E
QUANTITY	1	QUANTITY	1
	Angle Bracket 3.6x1.75		Hex Screw 1/4-20 x .62
908340	F	900025	G
QUANTITY	1	QUANTITY	1
	Regular Plain Washer #1/4		Disc Spring Washer

Installation Process





ITEM	QUANTITY	PART NUMBER	DESCRIPTION
A	1	910640G01	Visor Bracket
B	1	902370	Shoulder Washer
C	2	900024	Nylon Washer .219 x 1.0 x .03
D	1	909949	Angle Bracket 3.6 x 1.75
E	1	903543	Hex Screw 1/4-20 x .62
F	1	908340	Regular Plain Washer #1/4
G	1	900025	Disc Spring Washer