

MMPH

INDUSTRIES®

Installation Guide

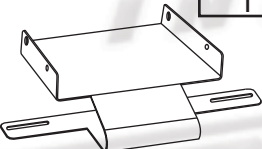
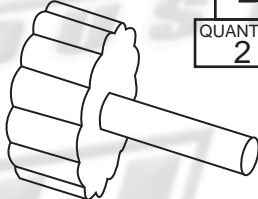

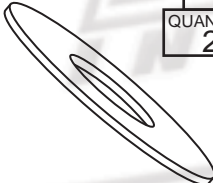

Chevy Caprice BEE III & Enforcer Bracket Assembly

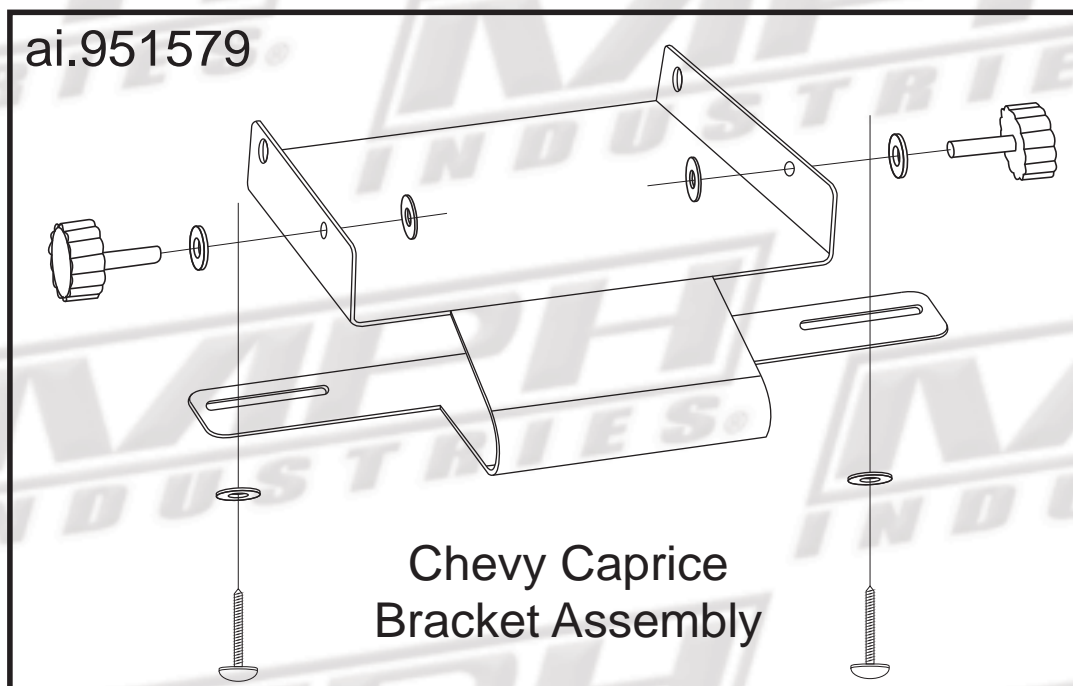
FITS: BEE III & Enforcer

PT#

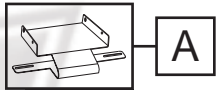
ai.951579

Installation Materials

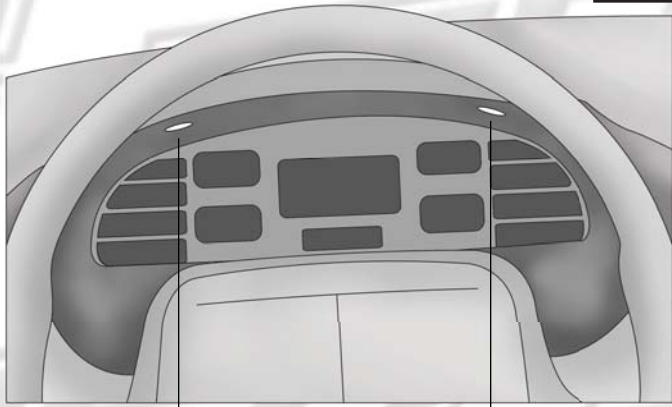
910637	A QUANTITY 1	909094	B QUANTITY 2	909092	C QUANTITY 4	908203	D QUANTITY 2	910641	E QUANTITY 2
									
Display Bracket		Stud Knob 10-32		Nylon Flat Washer #10		Regular Plain Washer #10		Tapping Screw #8 x 1.25"	



Installation Process

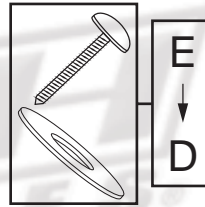


1

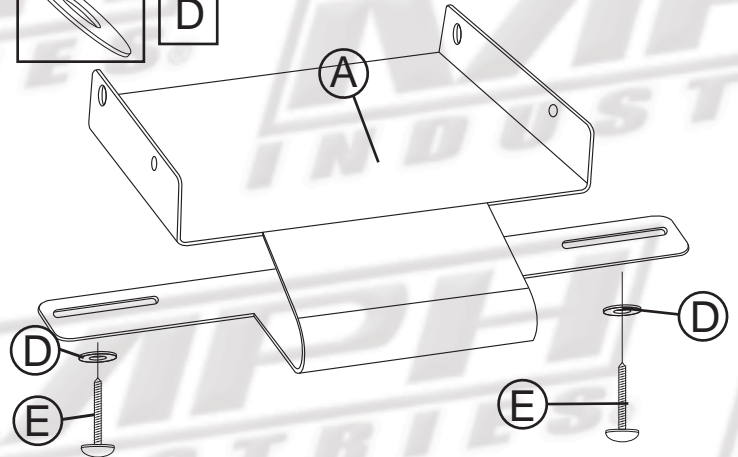


Remove
screws

Remove the two bolts on the underside of the dash cluster to mount the Display Bracket (A).

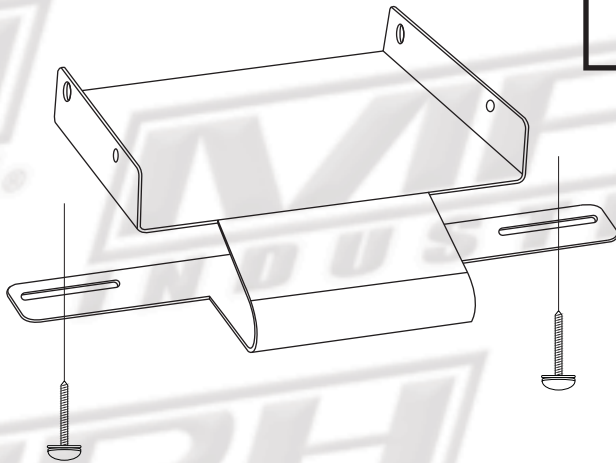


2

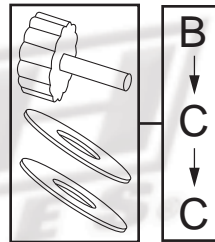


Taking a Regular Plain Washer (D) place it on a Tapping Screw (E). You will do this for each side of the Display Bracket (A).

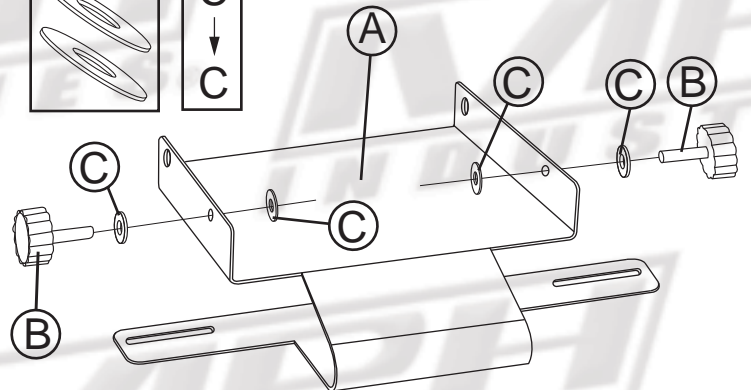
3



Fit the center of the Display Bracket (A) on the dash cluster leaving the readout tray on top of the dash while the bottom of the Display Bracket is on the underside of the dash cluster. Take the Tapping Screw (E) and put through the slot of the Display Bracket (A) and thread into the Dash cluster.



4

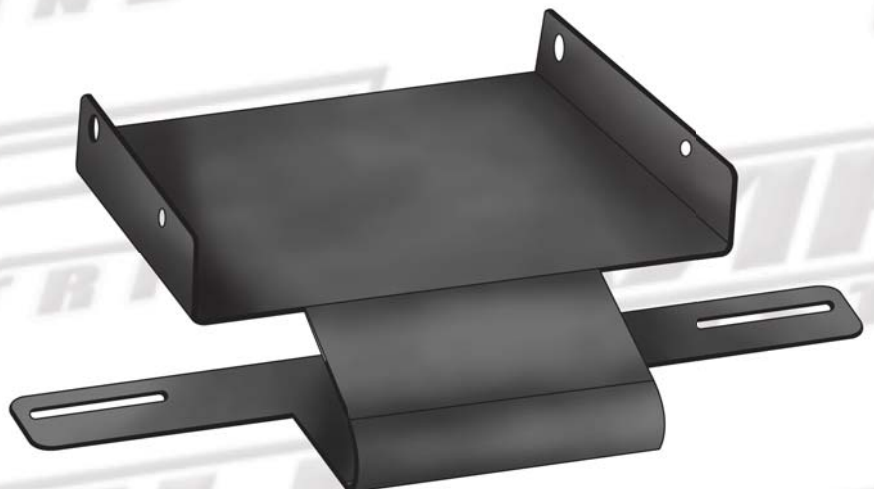


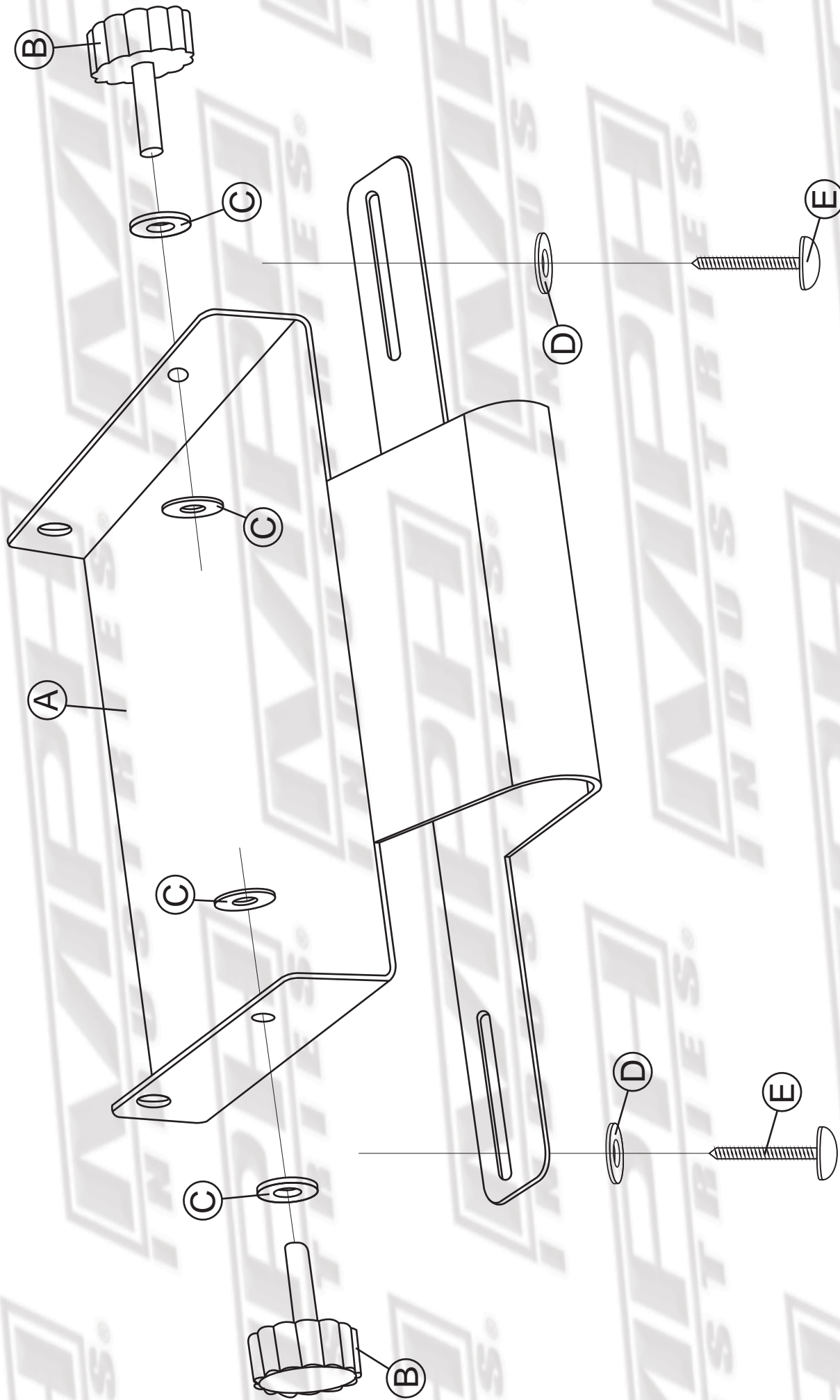
Take the BEE III readout and mount it to the Display Bracket (A) using the following order. The Stud Knob (B) then a Nylon Washer (C) separating the Stud Knob (B) from the Display Bracket (A). Next, put another Nylon Washer (C) on the Stud Knob (B) to separate the Display Bracket (A) and the readout. Tighten the Stud Knobs (B).

5

Chevy Caprice

BEE III & Enforcer
Display Bracket Assembly
Part# ai.951579





ITEM	QUANTITY	PART NUMBER	DESCRIPTION
A	1	910637	Dash Bracket
B	2	909094	Stud Knob 10-32 x 0.50"L
C	4	909092	Flat Nylon Washer #10
D	2	908203	Regular Plain Washer #10
E	2	910641	Tapping Screw #8 x 1.25"