

# MMPH

## INDUSTRIES®

# Installation Guide

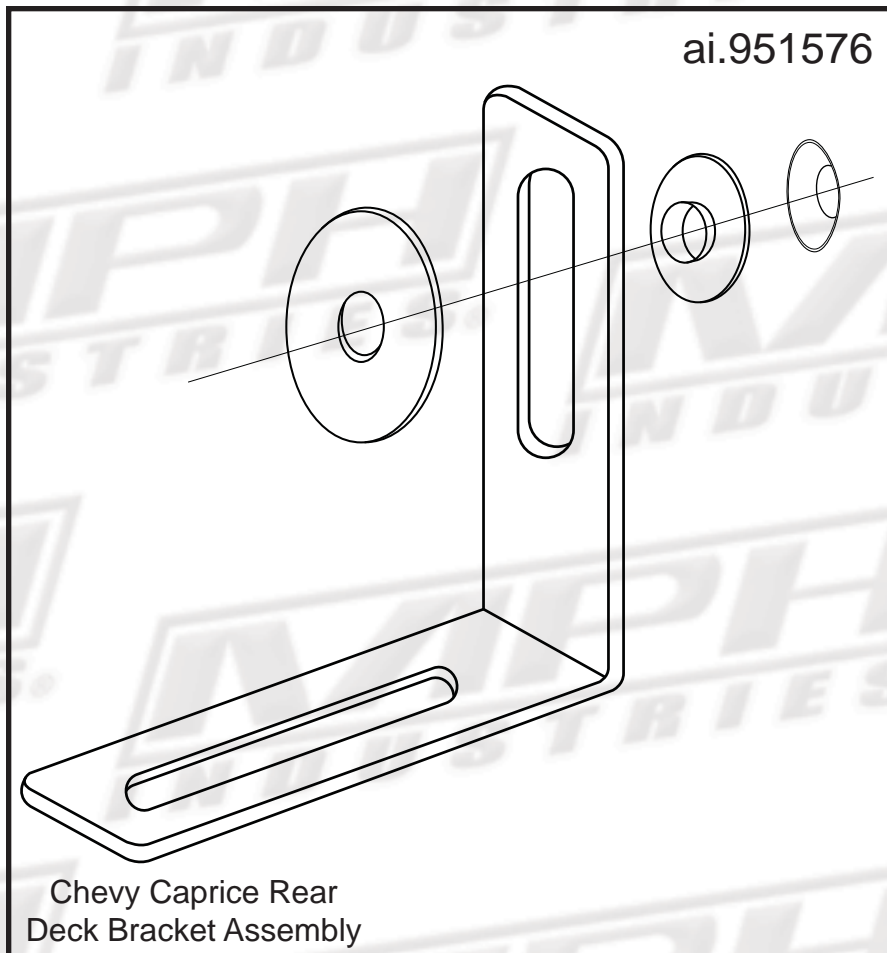
## Chevy Caprice

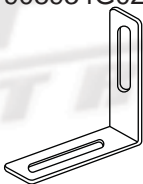



# Rear Deck Bracket Assembly

FITS: BEE III, Enforcer, Python III, Ranger

PT# ai.951576

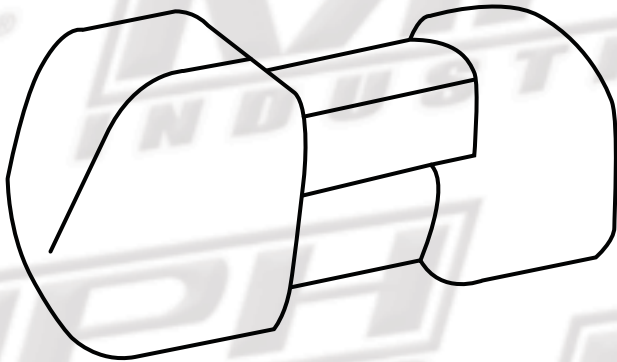
## Installation Materials



908934G02  Antenna Bracket	<b>A</b> QUANTITY 1	902370  Shoulder Washer	<b>B</b> QUANTITY 1
900024  Nylon Washer .219 x 1.0 x .03	<b>C</b> QUANTITY 1	900025  Disc Spring Washer	<b>D</b> QUANTITY 1

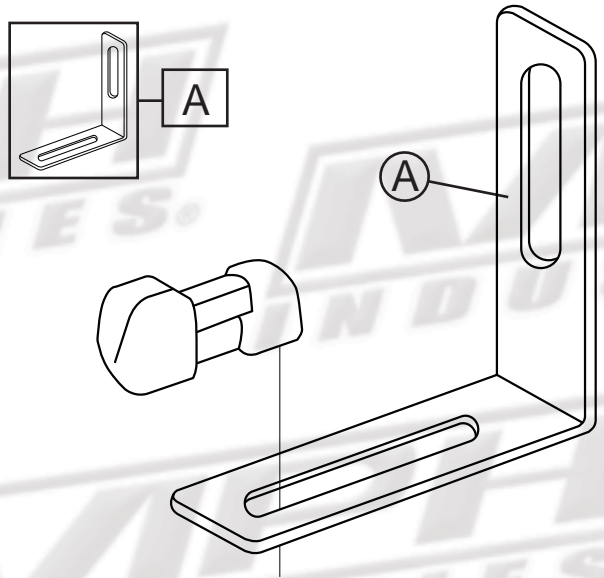
# Installation Process

1



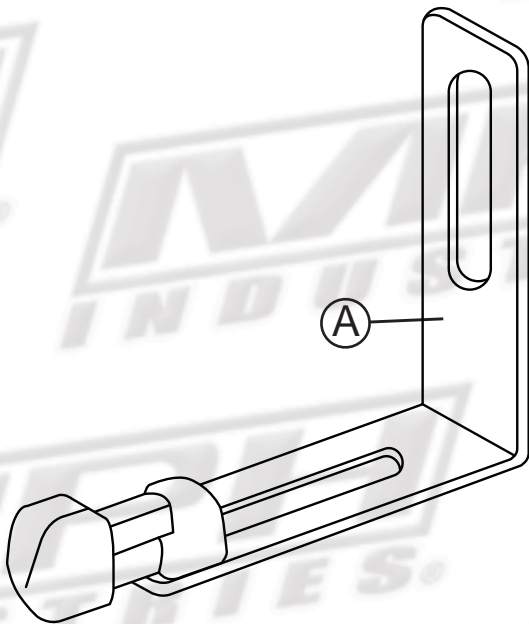
Open the plastic cover, and remove the rear deck child restraint tether bolt.

2



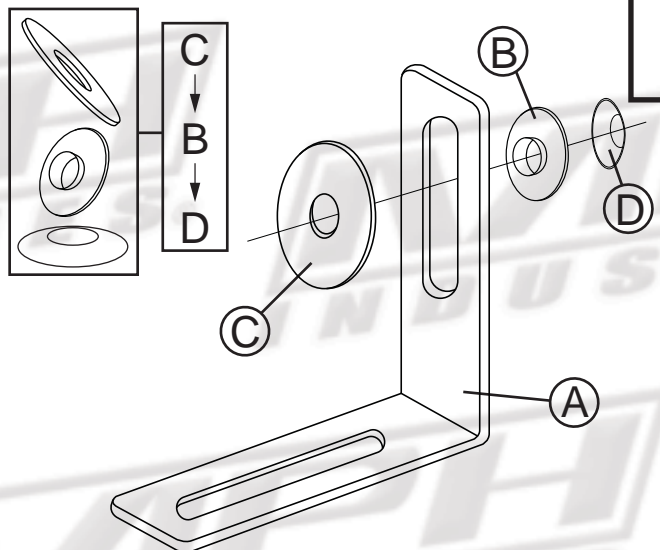
Place the Antenna Bracket (A) under the child restraint tether. The Antenna Bracket (A) should go between the metal spacer and the child restraint tether.

3



Replace child restraint tether bolt and tighten.

4



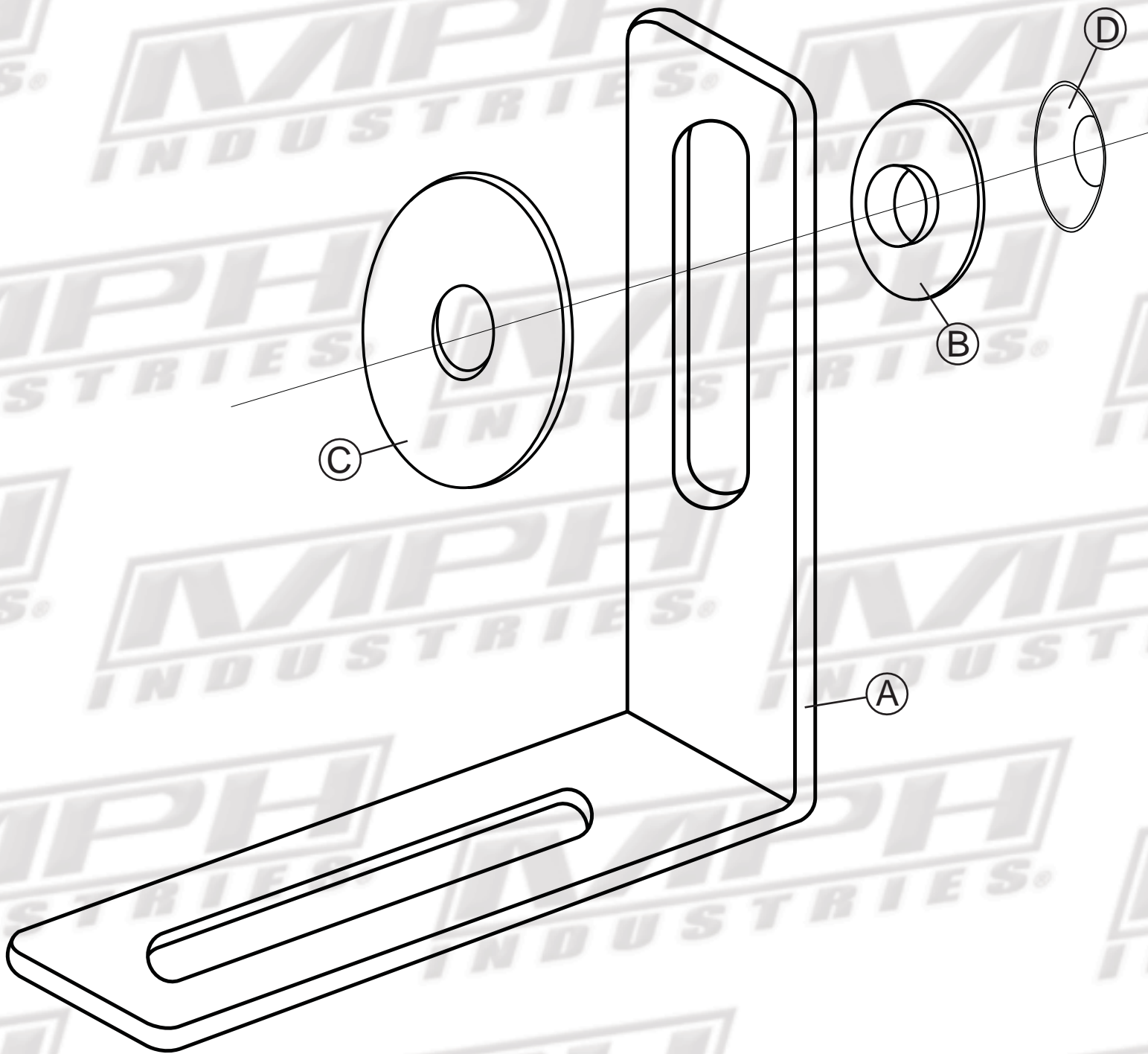
Mount the radar antenna using the supplied parts. Twist the Nylon Washer (C) onto the stud of the antenna. Put through the slot of the Antenna Bracket (A). Next, the Shoulder Washer (B) followed by the Disc Washer (D). Tighten with the knob included with the antenna kit.

5

## Chevy Caprice

Rear Deck Bracket Assembly  
Part# ai.951576





ITEM	QUANTITY	PART NUMBER	DESCRIPTION
A	1	908934G02	Antenna Bracket
B	1	902370	Shoulder Washer
C	1	900024	Nylon Washer .219 x 1.0 x .03
D	1	900025	Disc Spring