

# MMPH

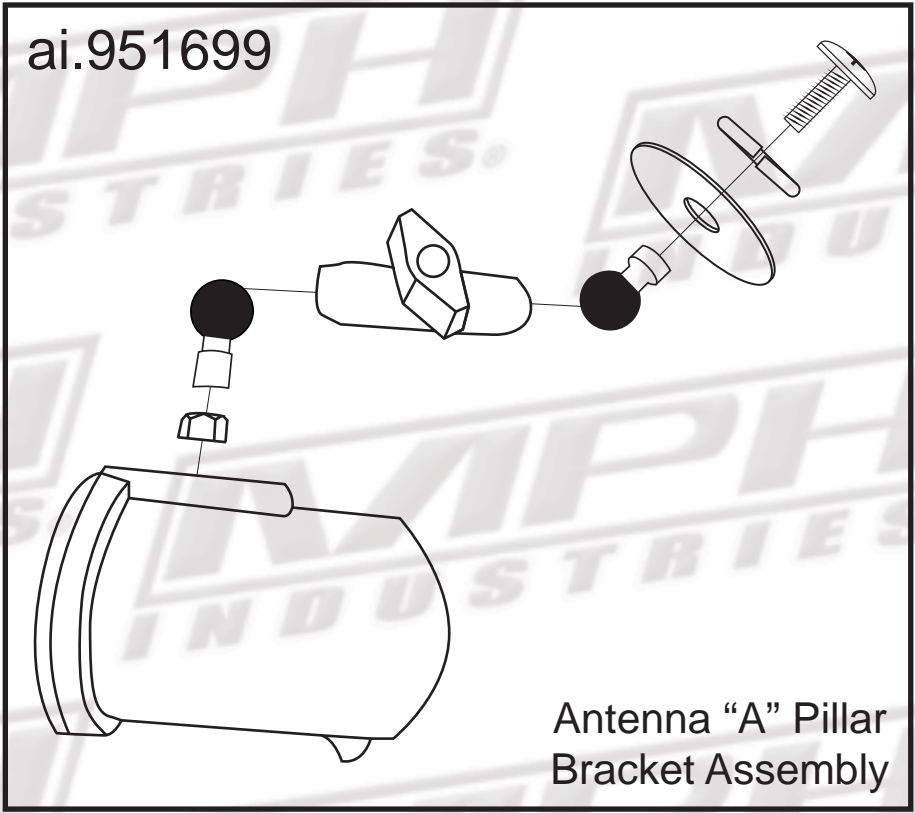
## INDUSTRIES®

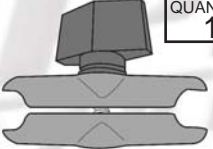

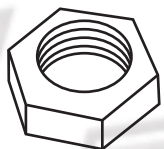

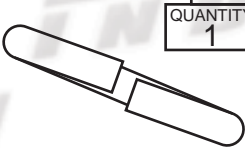
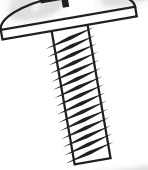
### Installation Guide Antenna "A" Pillar Bracket Assembly

Fits: BEE III, Enforcer, Python III, and Ranger

PT# ai.951699

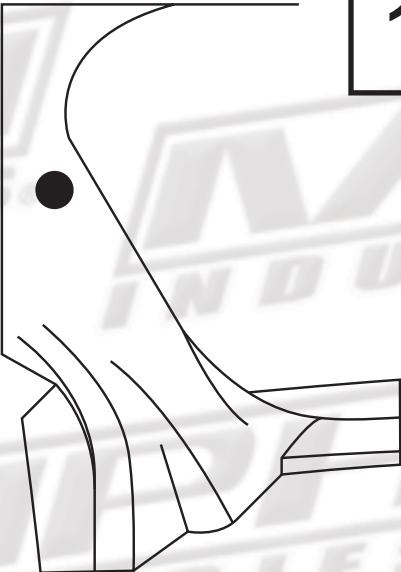
### Installation Materials



910722  Double Ball Arm 9/16"	A QUANTITY 1	910724  Ball 9-16". 1/4-20 Thread	B QUANTITY 2
908036  Hex Nut 1/4-20	C QUANTITY 1	910653  Fender Washer 1/4-1.5"	D QUANTITY 1
908342  Lock Helical Washer 1/4	E QUANTITY 1	903798  Screw 1/4-20x.50	F QUANTITY 1

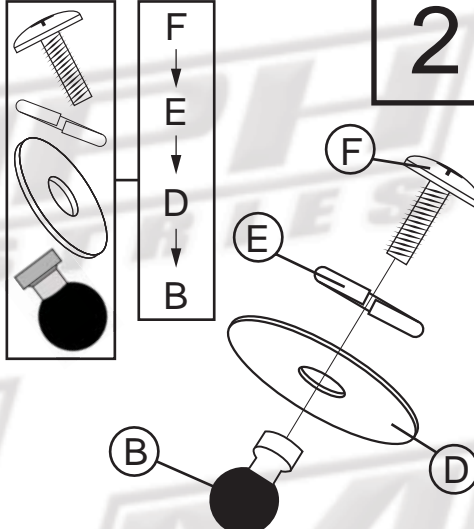
# Installation Process

**1**



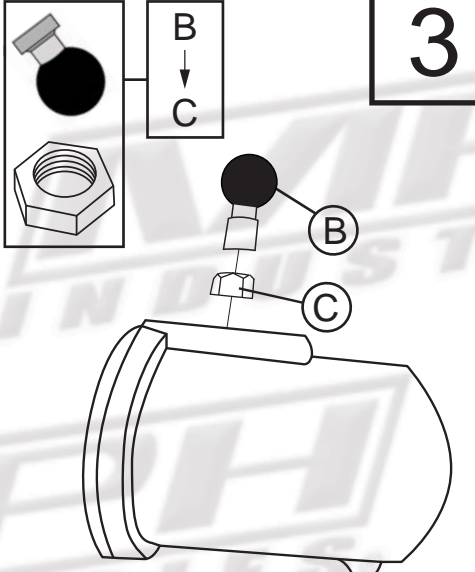
Choose and mark the spot on the A Pillar that you want the antenna to be mounted. Remove the A Pillar and drill a hole to fit the Screw (F).

**2**



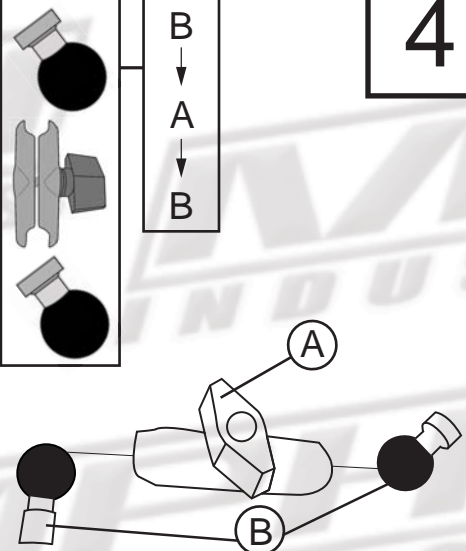
Put the Lock Washer (E) on to the Screw (F) followed by the Fender Washer (D) and insert through the hole drilled in step 1 from the inside. On the visible side secure the mount with a Ball Joint (B). Return the A Pillar to the car.

**3**



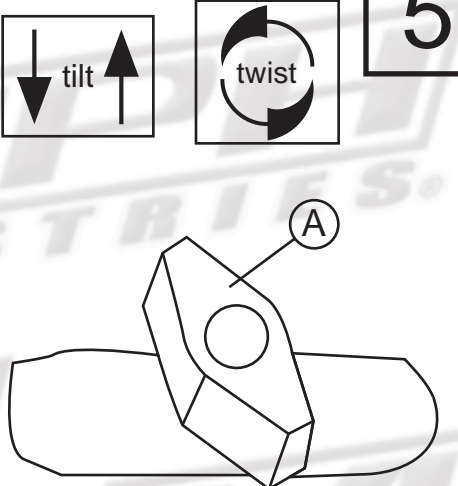
Screw the Hex Nut (C) onto the stud of the antenna. Followed by the remaining Ball Joint (B).

**4**



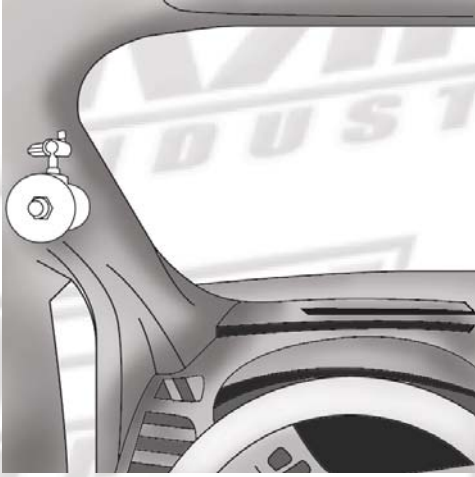
Put the Ball Joint (B) on the antenna into one side of the Double Ball Arm (A). Place the open side of the Double Ball Arm (A) onto the Ball Joint (B) already mounted to the A Pillar.

**5**



Once antenna has been mounted to the A Pillar you can now loosen the Double Ball Arm (A) and maneuver the mount to an acceptable angle. Tighten the knob once satisfied.

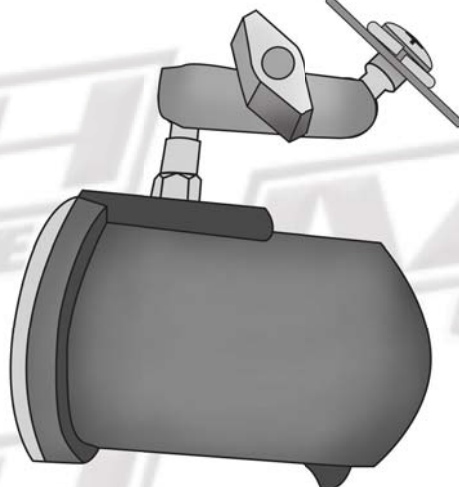
**6**



**7**

## Antenna "A" Pillar Bracket Assembly

Part # ai.951699



ITEM	QUANTITY	PART NUMBER	DESCRIPTION
A	1	910722	Double Ball Arm 9/16"
B	2	910724	Ball 9/16" - 1/4-20 Thread
C	1	908036	Hex Nut 1/4-20
D	1	910653	Fender Washer 1/4-1.5"
E	1	908342	Lock Helical Washer 1/4
F	1	903798	Screw 1/4-20x.50

