

MMPH INDUSTRIES®

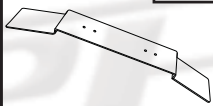

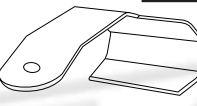
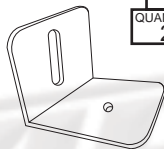


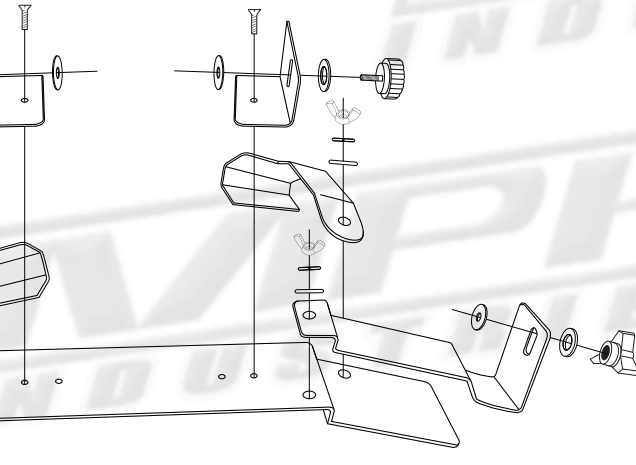
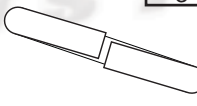

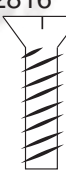
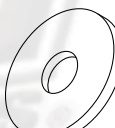




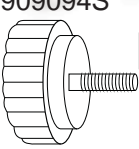
Installation Guide 2013+ Chevy Tahoe Radar & Antenna Bracket

FITS: BEE III, Enforcer, Python III, Ranger

PT#

ai.951689

Installation Materials

<p>910726P01 A</p> <p>QUANTITY 1</p>  <p>Main Dash Bracket</p>	<p>910726P02 B</p> <p>QUANTITY 1</p>  <p>Right Clamp Bracket</p>	<p>910726P03 C</p> <p>QUANTITY 1</p>  <p>Left Clamp Bracket</p>	<p>910726P04 D</p> <p>QUANTITY 2</p>  <p>R/O Dash Bracket</p>	<p>910726P05 E</p> <p>QUANTITY 1</p>  <p>Antenna Dash Bracket</p>	<p>408048 F</p> <p>QUANTITY 3</p>  <p>Regular Plain Washer #6</p>			
<p>ai.951689</p>  <p>2014 Chevy Tahoe Radar & Antenna Bracket</p>						<p>408049 G</p> <p>QUANTITY 3</p>  <p>Lock Split Washer #6</p>	<p>400010 H</p> <p>QUANTITY 3</p>  <p>6-32 Wing Nut</p>	<p>902816 I</p> <p>QUANTITY 2</p>  <p>#4-40x.25 Flathead Screw</p>
						<p>903356 J</p> <p>QUANTITY 1</p>  <p>1/4" Flat Nylon Washer</p>	<p>908340 K</p> <p>QUANTITY 1</p>  <p>#1/4 Regular Plain Washer</p>	<p>909085 L</p> <p>QUANTITY 1</p>  <p>1/4-20 Star Knob</p>
						<p>909092 M</p> <p>QUANTITY 4</p>  <p>Nylon Flat Washer #10</p>	<p>908203 N</p> <p>QUANTITY 2</p>  <p>Regular Plain Washer #10</p>	<p>909094S O</p> <p>QUANTITY 2</p>  <p>10-32 x 0.375" L Stud Knob</p>

Installation Process

1

Taking the Main Dash Bracket (A) place the Left Clamp Bracket (C) on to the stud. Fit Plain Washer (F) on top of the Left Clamp Bracket (C). Put the Lock Washer (G) on top and secure with a Wing Nut (H). Repeat for Right Clamp Bracket (B).

2

Place the Antenna Dash Bracket (E) on the last stud of the Main Dash Bracket (A). Fit Plain Washer (F) on top of the Antenna Dash Bracket (E). Next put the Lock Washer (G) on top and secure with a Wing Nut (H).

3

Take the R/O Dash Bracket (D) and mount piece to the Main Dash Bracket (A) with a Flathead Screw (I). Repeat for the other side of the Main Dash Bracket (A).

Depending on which radar unit you're using will determine which holes to line up on the Main Dash Bracket (A).

4

Place the Flat Nylon Washer (J) onto the antenna stud and insert the stud through the mount on the Antenna Dash Bracket (E). Add the Regular Plain Washer (K) separating the Antenna Dash Bracket (E) and the Star Knob (L).

5

Taking both Stud Knobs (O), place a Regular Plain Washer (N) onto the studs followed by a Nylon Flat Washer (M). Put through the holes of the R/O Dash Bracket. Add another Nylon Flat Washer (M) separating the unit from the R/O Bracket (D). Put the radar unit into place. Secure with studs.

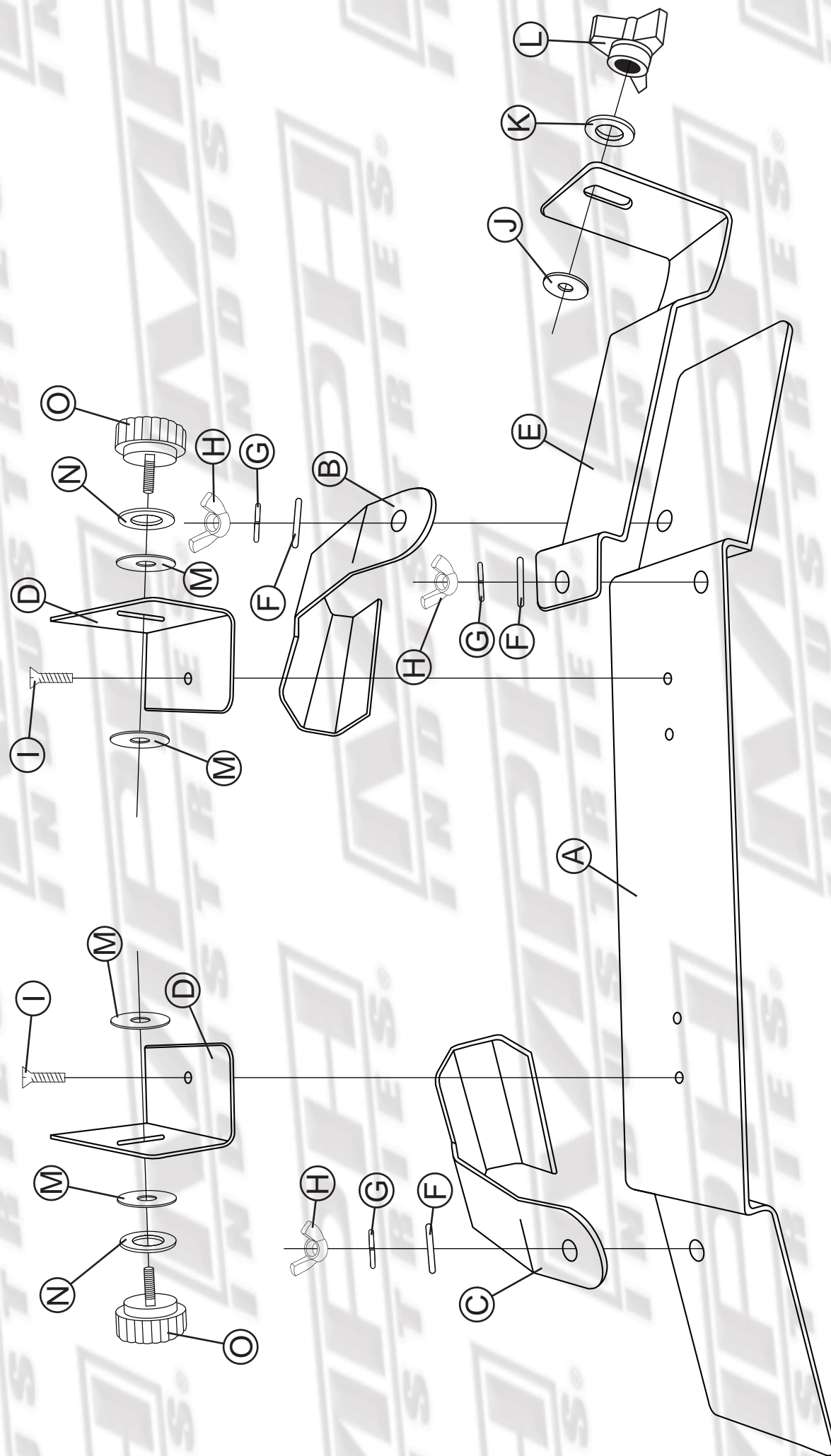
6

Mount the fully constructed bracket into the vehicle. Adjust the radar unit and antenna to your personal aesthetic. Secure all fastening pieces (wing nuts, antenna stud and radar stud).

7

2013+ Chevy Tahoe

Bracket Assembly
Part# ai.951689



ITEM	QUANTITY	PART NUMBER	DESCRIPTION
A	1	910726P01	Main Dash Bracket
B	1	910726P02	Right Clamp Bracket
C	1	910726P03	Left Clamp Bracket
D	2	910726P04	Radar Bracket
E	1	910726P05	Antenna Bracket
F	3	408048	Regular Plain Washer #6
G	3	408049	Lock Split Washer #6
H	3	400010	6-32 Wing Nut

ITEM	QUANTITY	PART NUMBER	DESCRIPTION
I	2	902816	#4-40x.25 Flathead Screw
J	1	903356	1/4" Flat Nylon Washer
K	1	908340	#1/4 Regular Plain Washer
L	1	909085	1/4-20 Star Knob
M	4	909092	Nylon Flat Washer #10
N	2	908203	Regular Plain Washer #10
O	2	909094S	10-32 x 0.375"L Stud Knob

